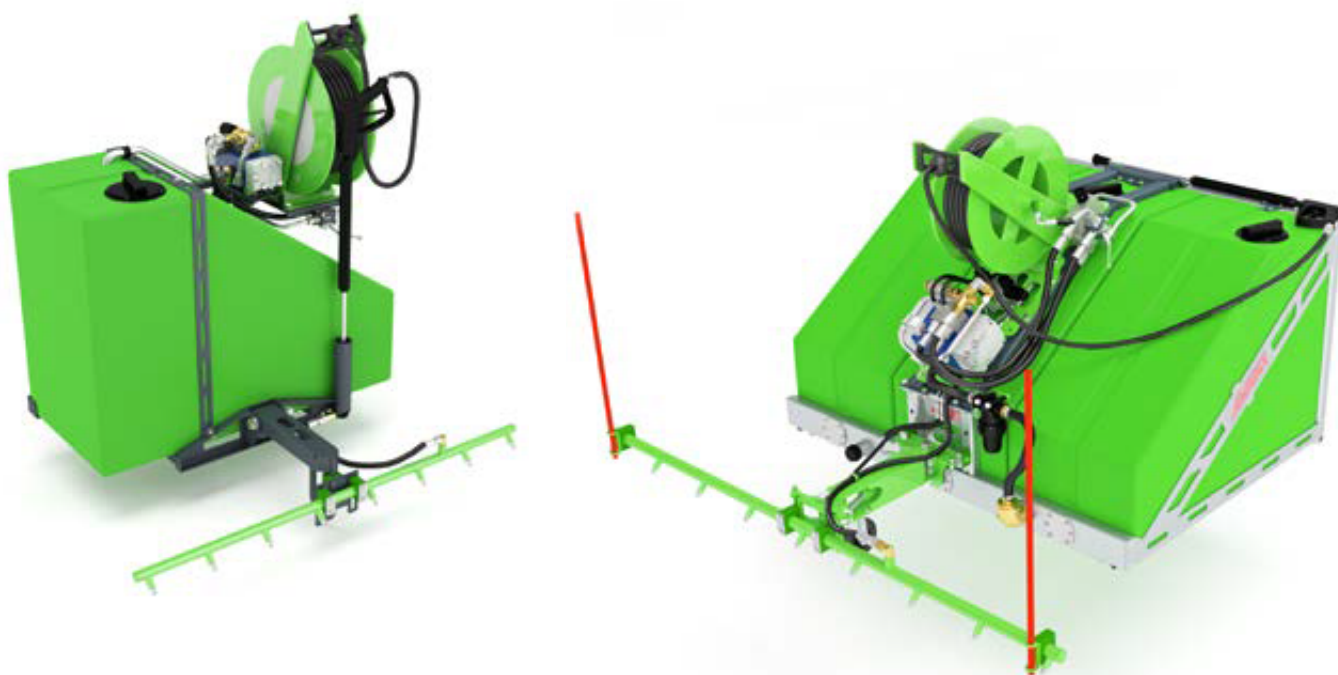


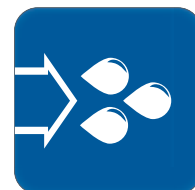
DYNASET
POWERED BY HYDRAULICS

AVANT[®]



rev 1.0

SPARE PARTS
HIGH PRESSURE STREET WASHING UNITS

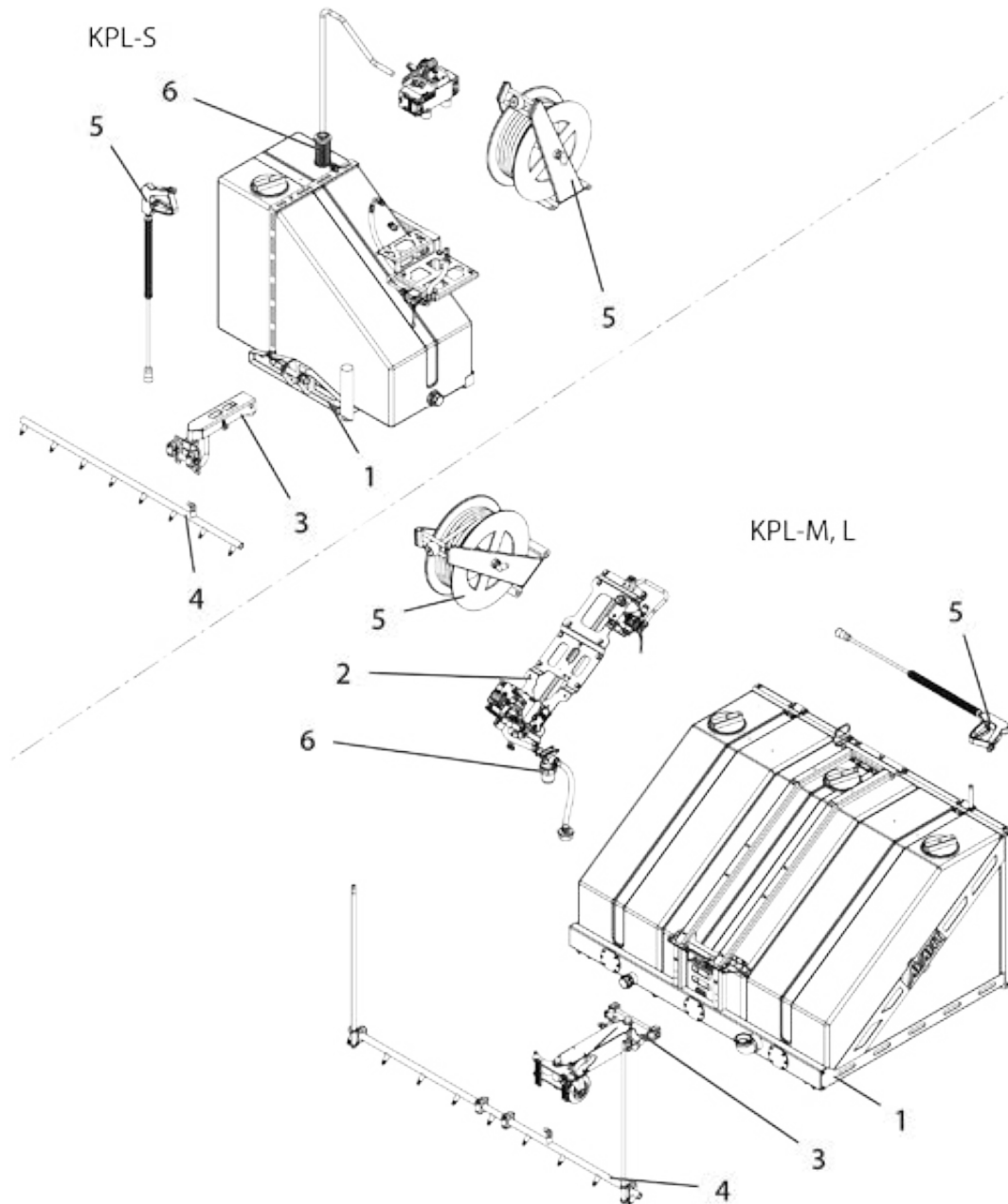


KPL S 200	A37012
KPL M 200	A37013
KPL L 220	A37014



MAIN COMPONENTS	3
1. FRAME	4
1.1. FRAME KPL-S	4
1.1.1. FITTING KIT	6
1.1.2. SCREW KIT	7
1.2. FRAME KPL-M	8
1.3. FRAME KPL-L	10
1.4. MOUNTING MODULE	12
2. DEVICE MODULE ASSEMBLY	14
2.1. DIRECTIONAL CONTROL VALVE	16
2.2. FITTING KIT	18
2.3. SCREW KIT	20
2.4. HPW FITTING AND SCREW KITS	24
2.5. CONTROL WIRE KIT	27
3. TURNING DEVICE ASSEMBLY	28
3.1. TURNING FRAME KPL S	28
3.2. TURNING DEVICE ASSEMBLY KPL M, L	30
4. NOZZLE PIPE ASSEMBLY	32
4.1. POLE ASSEMBLY	33
4.2. NOZZLE PIPE MOUNTING KIT	34
5. WASHING GUN AND HOSE REEL	35
6. FILTER KITS	36
7. HOSES	38
7.1. SUCTION HOSE KITS	38
7.2. PRESSURE WATER HOSES	40
7.3. HYDRAULIC HOSES	42

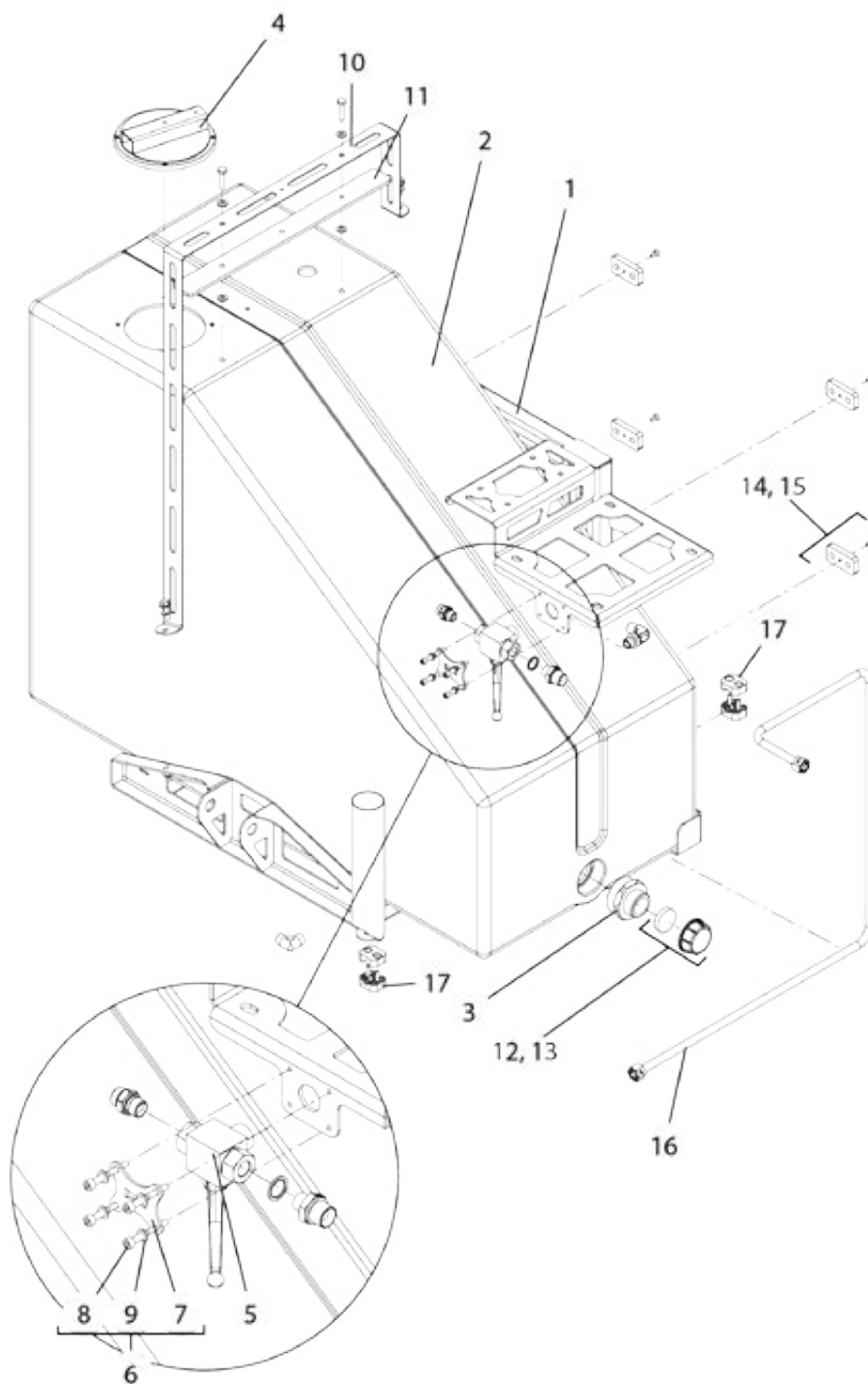
MAIN COMPONENTS



POS	PART NUMBER	QTY	DESCRIPTION	DETAILS	DETAILS 2
1			FRAME	Separate part list	
2			DEVICE MODULE ASSEMBLY	Separate part list	
3			TURNING DEVICE ASSEMBLY	Separate part list	
4			NOZZLE PIPE ASSEMBLY	Separate part list	
5			WASHING PISTOL AND HOSE REEL	Separate part list	
6			FILTER KIT	Separate part list	
7			HOSES	Separate part list	

1. FRAME

1.1. FRAME KPL-S





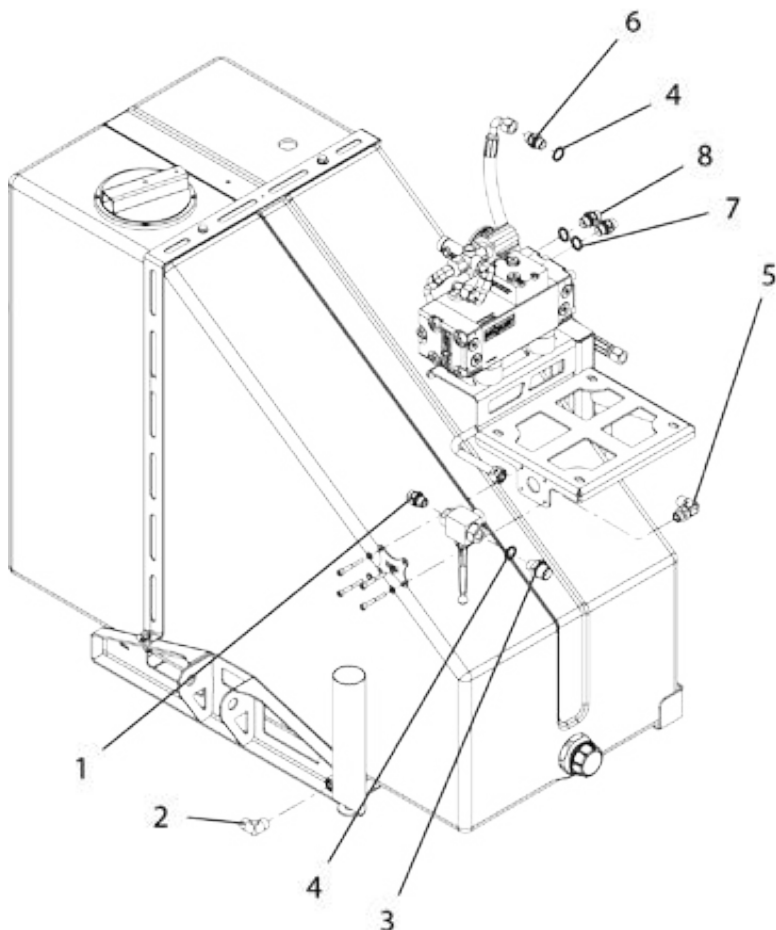
HIGH PRESSURE STREET WASHING UNITS

SPARE PARTS

POS	PART NUMBER	QTY	DESCRIPTION	DETAILS	DETAILS 2
1	V105 066 150	1	FRAME	Welding assembly	
2	V105 066 010	1	MODULE CONTAINER		Includes pos. 3-4
3	*	1	MALE STRAIGHT ADAPTER	RK2 - 1 1/4	
4	V105 066 080	1	FILLING CAP ASSEMBLY		
5	V105 066 360	1	SELECTION VALVE		
6	V105 066 330		MOUNTING PLATE KIT	Selection valve	Includes pos. 7-9
7	*	1	MOUNTING PLATE		
8	*	4	HEXAGON SOCKET CAP SCREW	M6 x 45	
9	*	4	WASHER	DIN 125 A6	
10	V105 066 230	1	BAND		
11	V105 066 240	1	BAND RUBBER		
12	V105 066 090	1	DRAIN CAP		Includes pos. 13
13	*	1	SEAL		
	V105 066 100		COUNTER PLATE KIT		Includes pos. 14-15
14	*	4	COUNTER PLATE		
15	*	4	HEXAGON SOCKET COUNTERSUNK SCR	M6x12	
16	V105 066 400	1	PIPE ASSEMBLY	Pressure water	
17	V105 066 440	1	PIPE CLAMP KIT	2 pairs	

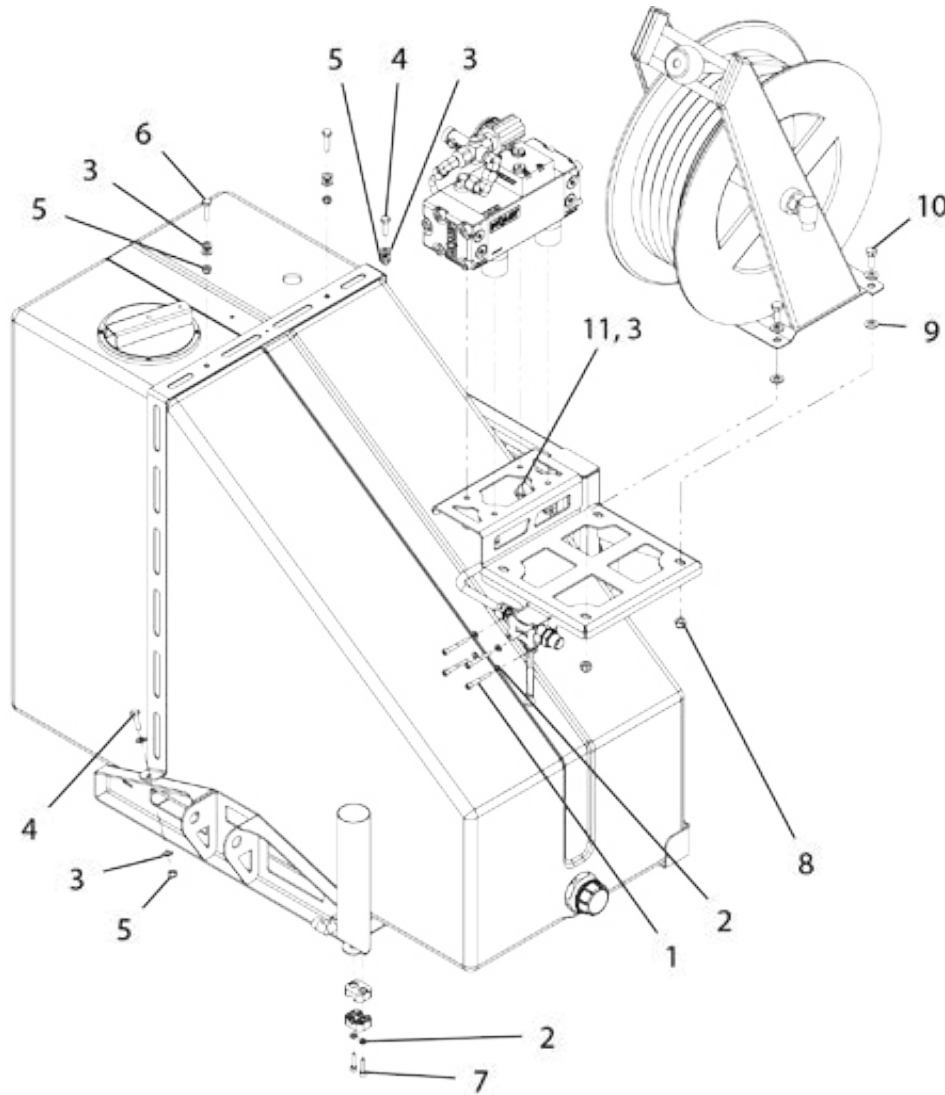
POS	PART NUMBER	QTY	DESCRIPTION	DETAILS	DETAILS 2
	A37002	1	AVANT COUPLING PLATE	KPL-S	

1.1.1. FITTING KIT



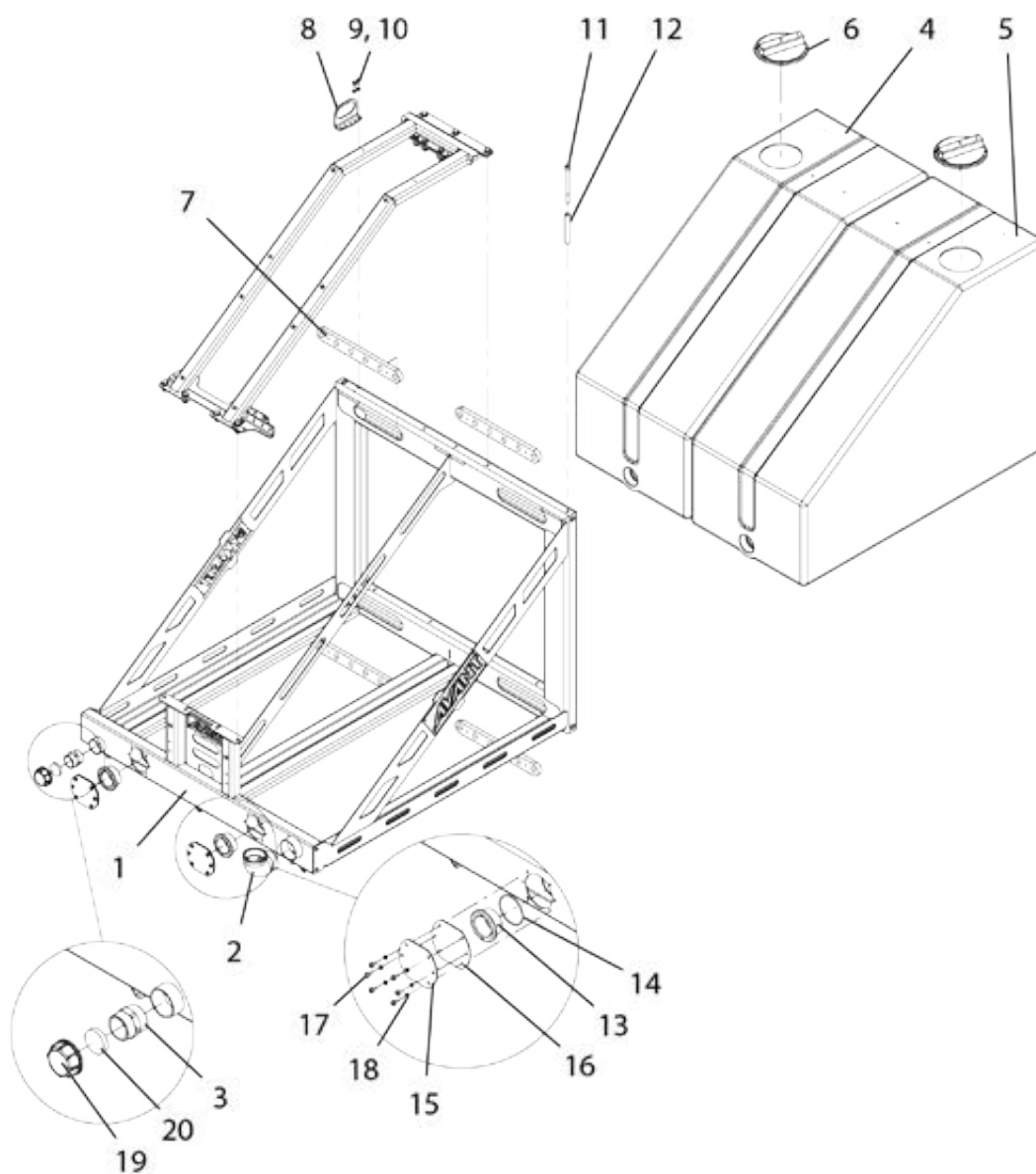
POS	PART NUMBER	QTY	DESCRIPTION	DETAILS	DETAILS 2
	V105 066 475		FITTING KIT	Frame S	Includes pos. 1-7
1	*	1	STRAIGHT MALE STUD COUPLING	12L R3/8 DIN 2353	
2	*	1	ELBOW	12L DIN 2353	
3	*	1	MALE STRAIGHT ADAPTER	R1/2-R3/8	
4	*	2	SEAL	R3/8 Usit	
5	*	1	90° ADJUSTABLE ADAPTER	R3/8 - 90° u/u	
6	*	1	MALE STRAIGHT ADAPTER	R3/8	
7	*	2	SEAL	R1/2 Usit	
8	*	2	MALE STRAIGHT ADAPTER	R1/2	

1.1.2. SCREW KIT



POS	PART NUMBER	QTY	DESCRIPTION	DETAILS	DETAILS 2
	V105 066 500		SCREW KIT	Frame S	Includes pos. 1-12
1	*	4	HEXAGON SOCKET CAP SCREW	M6 x 45	
2	*	8	WASHER	A6	
3	*	12	WASHER	A8	
4	*	2	HEXAGON HEAD SCREW	M8x25	
5	*	4	LOCK NUT	M8	
6	*	2	HEXAGON HEAD SCREW	M8x30	
7	*	4	HEXAGON SOCKET CAP SCREW	M6x25	
8	*	4	LOCK NUT	M10	
9	*	8	WASHER	A10	
10	*	4	HEXAGON HEAD SCREW	M10x25	
11	*	4	HEXAGON HEAD SCREW	M8x12	

1.2. FRAME KPL-M





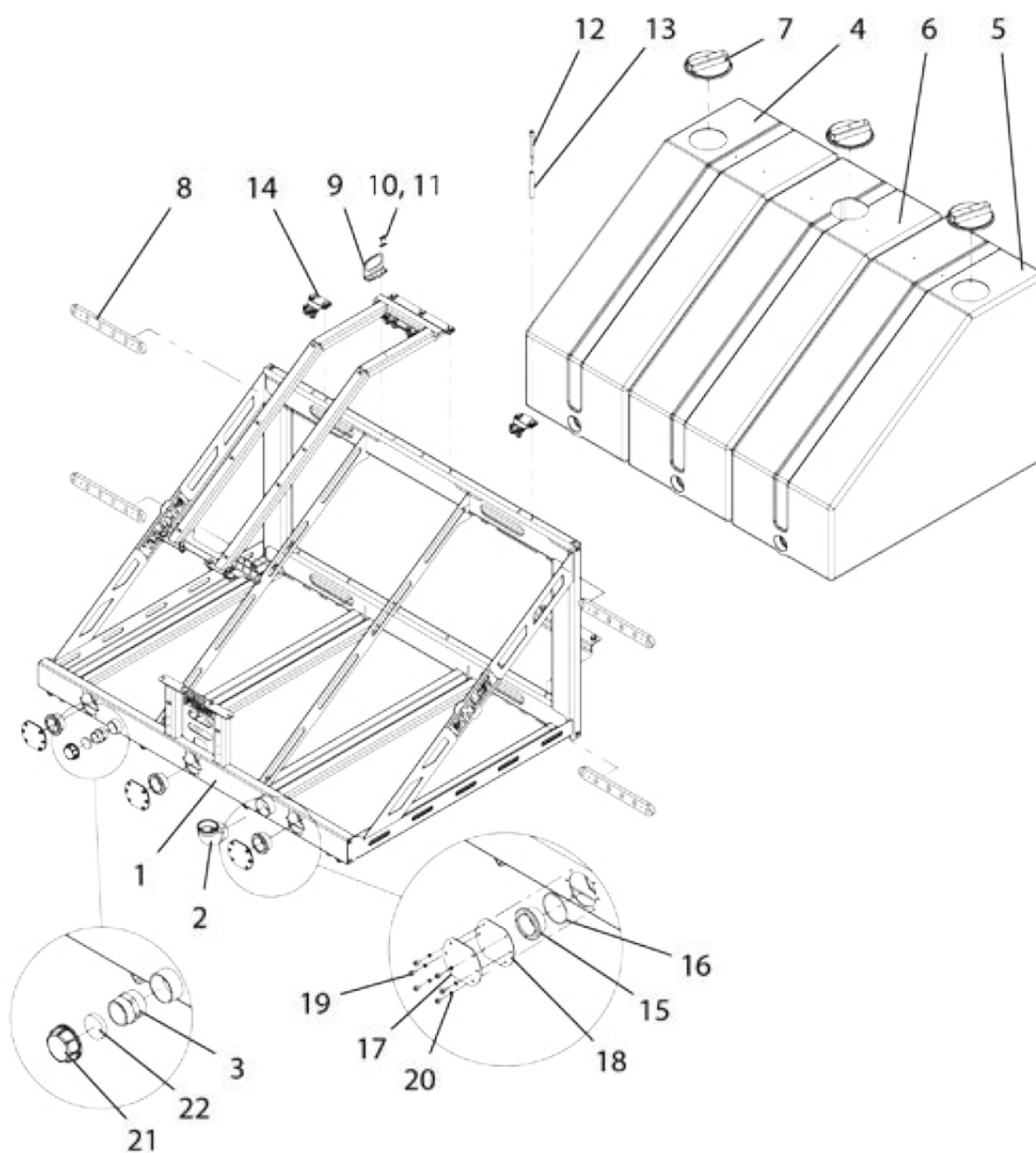
HIGH PRESSURE STREET WASHING UNITS

SPARE PARTS

POS	PART NUMBER	QTY	DESCRIPTION	DETAILS	DETAILS 2
1	V105 066 170	1	FRAME	Welding assembly	Includes pos. 2 -3
2	*	1	ELBOW	R2 s/u	
3	*	1	MALE STRAIGHT ADAPTER	RK 1 1/4	
4	V105 066 050	1	MODULE CONTAINER	Right	Includes pos. 6, 13
5	V105 066 030	1	MODULE CONTAINER	Left	Includes pos. 6, 13
6	V105 066 080	2	FILLING CAP ASSEMBLY		
7	V105 066 110	4	COUNTER PLATE	Includes screws	
	V105 066 310		PISTOL BRACKET KIT	KPL M, L	Includes pos. 8-12
8	*	1	PISTOL BRACKET		
9	*	2	HEXAGON HEAD SCREW	M6x12	
10	*	2	WASHER	A6	
11	*	1	HEXAGON SOCKET CAP SCREW	M10x120	
12	*	1	PIPE	D15 - 100	
13	V105 066 130	2	FLANGE FITTING		Includes pos. 14
14	*	2	O-RING		
	V105 066 120		PLUG PLATE ASSEMBLY		
15	*	1	PLUG PLATE		
16	*	1	FLANGE SEAL		
17	*	6	PAN HEAD SCREW TX	M6x12	
18	*	6	SEAL	D10	
19	V105066090	1	DRAIN CAP		Includes pos. 22
20	*	1	SEAL	D39,5	

POS	PART NUMBER	QTY	DESCRIPTION	DETAILS	DETAILS 2
	A37003	1	AVANT COUPLING PLATE	KPL-M, L	

1.3. FRAME KPL-L





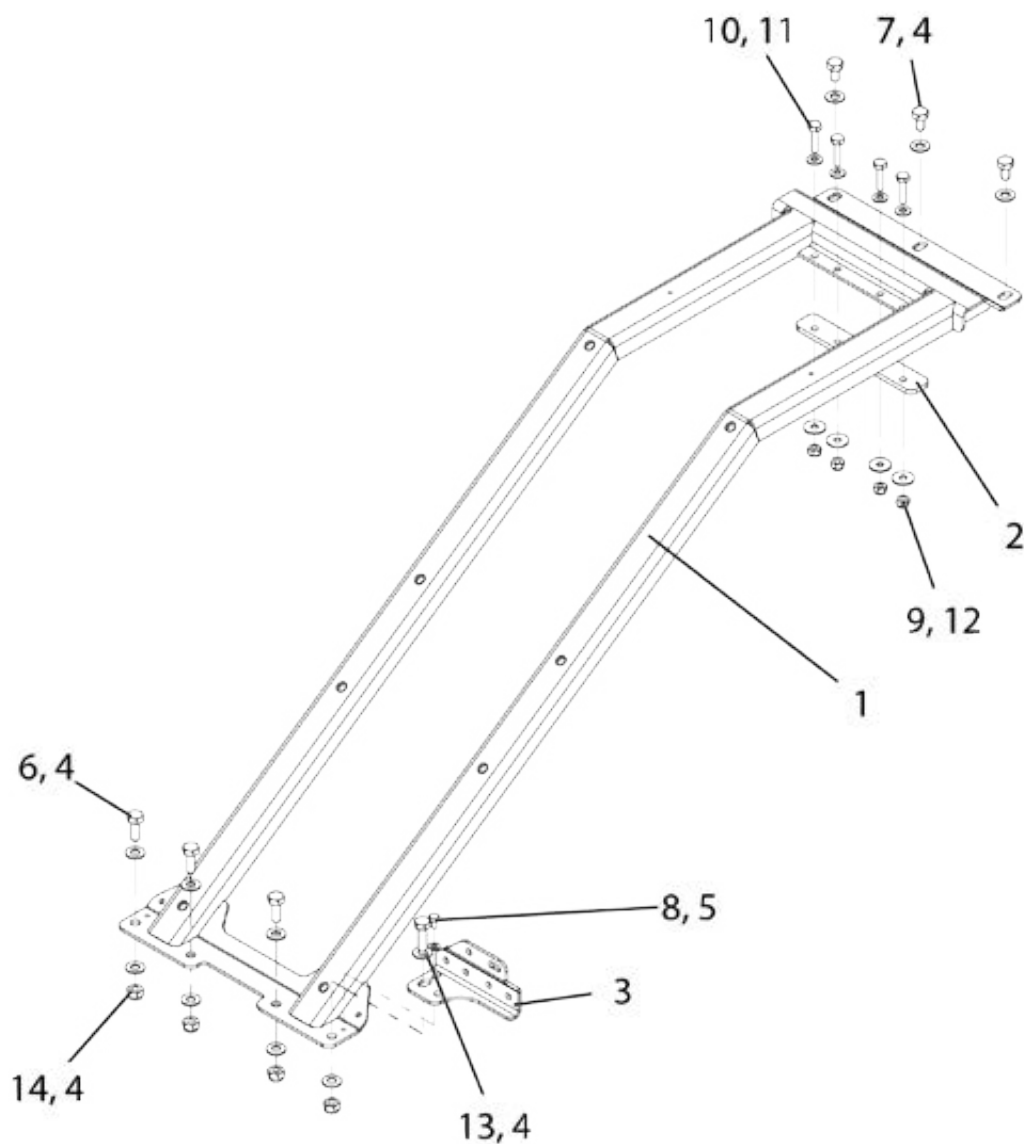
HIGH PRESSURE STREET WASHING UNITS

SPARE PARTS

POS	PART NUMBER	QTY	DESCRIPTION	DETAILS	DETAILS 2
1	V105 066 190	1	FRAME	Welding assembly	Includes pos. 2 -3
2	*	1	ELBOW	R2 s/u	
3	*	1	MALE STRAIGHT ADAPTER	RK 1 1/4	
4	V105 066 050	1	MODULE CONTAINER	Right	Includes pos. 7, 15
5	V105 066 030	1	MODULE CONTAINER	Left	Includes pos. 7, 15
6	V105 066 070	1	MODULE CONTAINER	Center	Includes pos. 7, 15
7	V105 066 080	3	FILLING CAP ASSEMBLY		
8	V105 066 110	4	COUNTER PLATE	Includes screws	
	V105 066 310		PISTOL BRACKET KIT	KPL M, L	Includes pos. 9-13
9	*	1	PISTOL BRACKET		
10	*	2	HEXAGON HEAD SCREW	M6x12	
11	*	2	WASHER	A6	
12	*	1	HEXAGON SOCKET CAP SCREW	M10x120	
13	*	1	PIPE	D15 - 100	
14	V105 066 215	2	SUPPORT PLATE ASSEMBLY		
15	V105 066 130	3	FLANGE FITTING		Includes pos. 16
16	*	3	O-RING		
	V105 066 120		PLUG PLATE ASSEMBLY		
17	*	1	PLUG PLATE		
18	*	1	FLANGE SEAL		
19	*	6	PAN HEAD SCREW TX	M6x12	
20	*	6	SEAL	D10	
21	V105066090	1	DRAIN CAP		Includes pos. 22
22	*	1	SEAL	D39,5	

POS	PART NUMBER	QTY	DESCRIPTION	DETAILS	DETAILS 2
	A37003	1	AVANT COUPLING PLATE	KPL-M, L	

1.4. MOUNTING MODULE



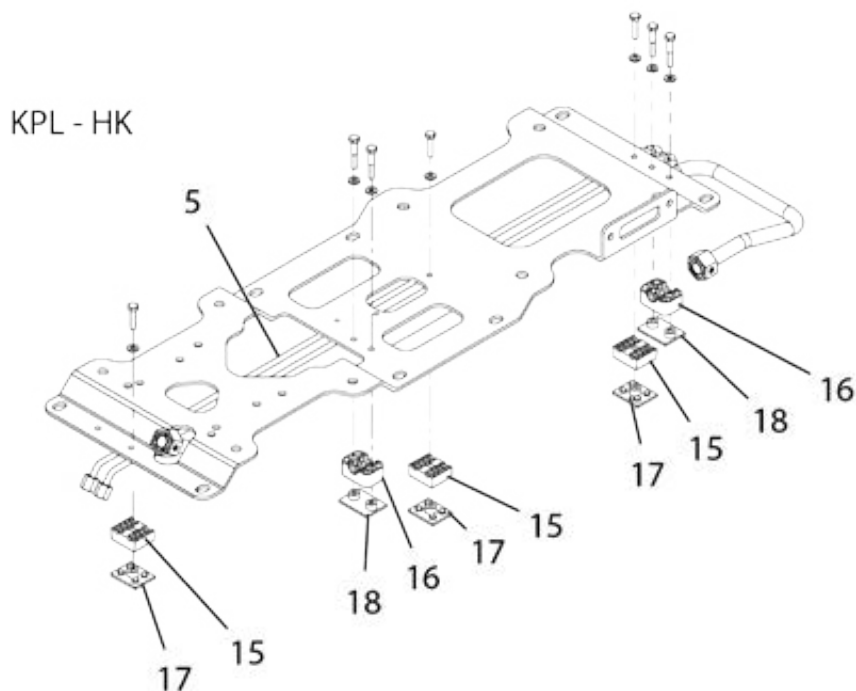
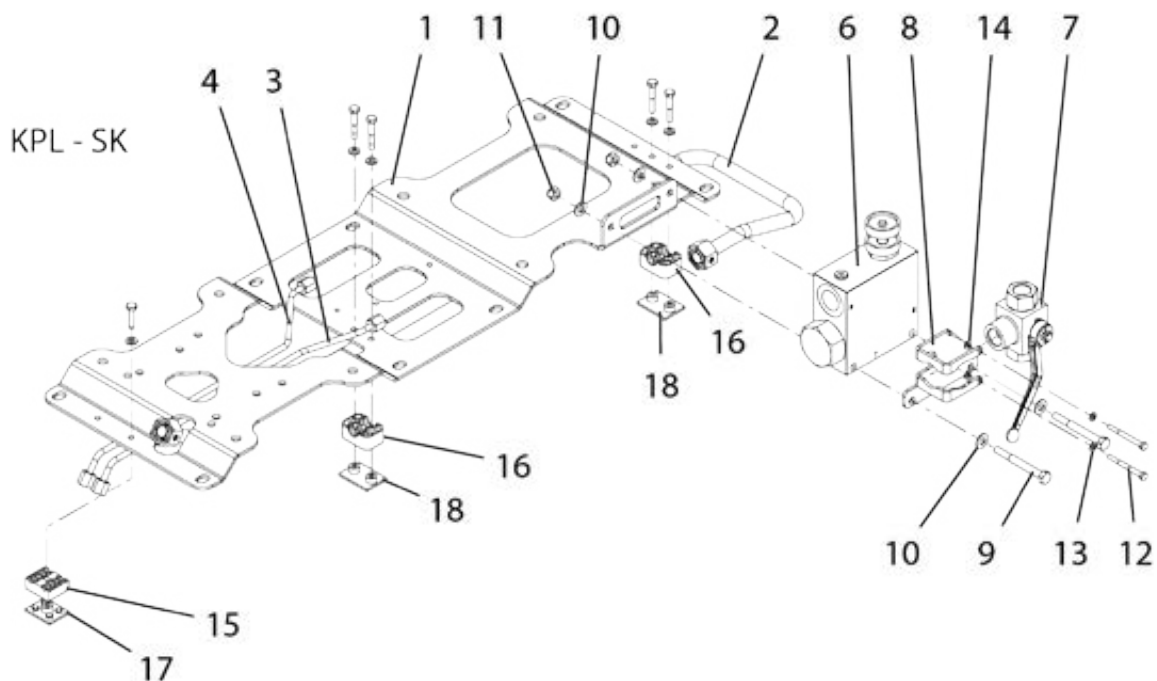


HIGH PRESSURE STREET WASHING UNITS

SPARE PARTS

POS	PART NUMBER	QTY	DESCRIPTION	DETAILS	DETAILS 2
1	V105 066 260	1	MOUNTING MODULE	KPL M, L	
2	V105 066 270	1	MOUNTING MODULE RUBBER		
3	V105 066 290	2	FILTER BRACKET	M6x12	
	V105 066 275		SCREW KIT	KPL M, L	Includes pos 4-14
4	*	11	WASHER	A10	
5	*	1	WASHER	A6	
6	*	3	HEXAGON HEAD SCREW	M10x25	
7	*	3	HEXAGON HEAD SCREW	M10x16	
8	*	1	HEXAGON HEAD SCREW	M6x10	
9	*	4	LOCK NUT	M8	
10	*	4	HEXAGON HEAD SCREW	M8x30	
11	*	4	WASHER	A8	
12	*	4	WASHER	M8	
13	*	1	HEXAGON HEAD SCREW	M10x30	
14	*	4	LOCK NUT	M10	

2. DEVICE MODULE ASSEMBLY





HIGH PRESSURE STREET WASHING UNITS

SPARE PARTS

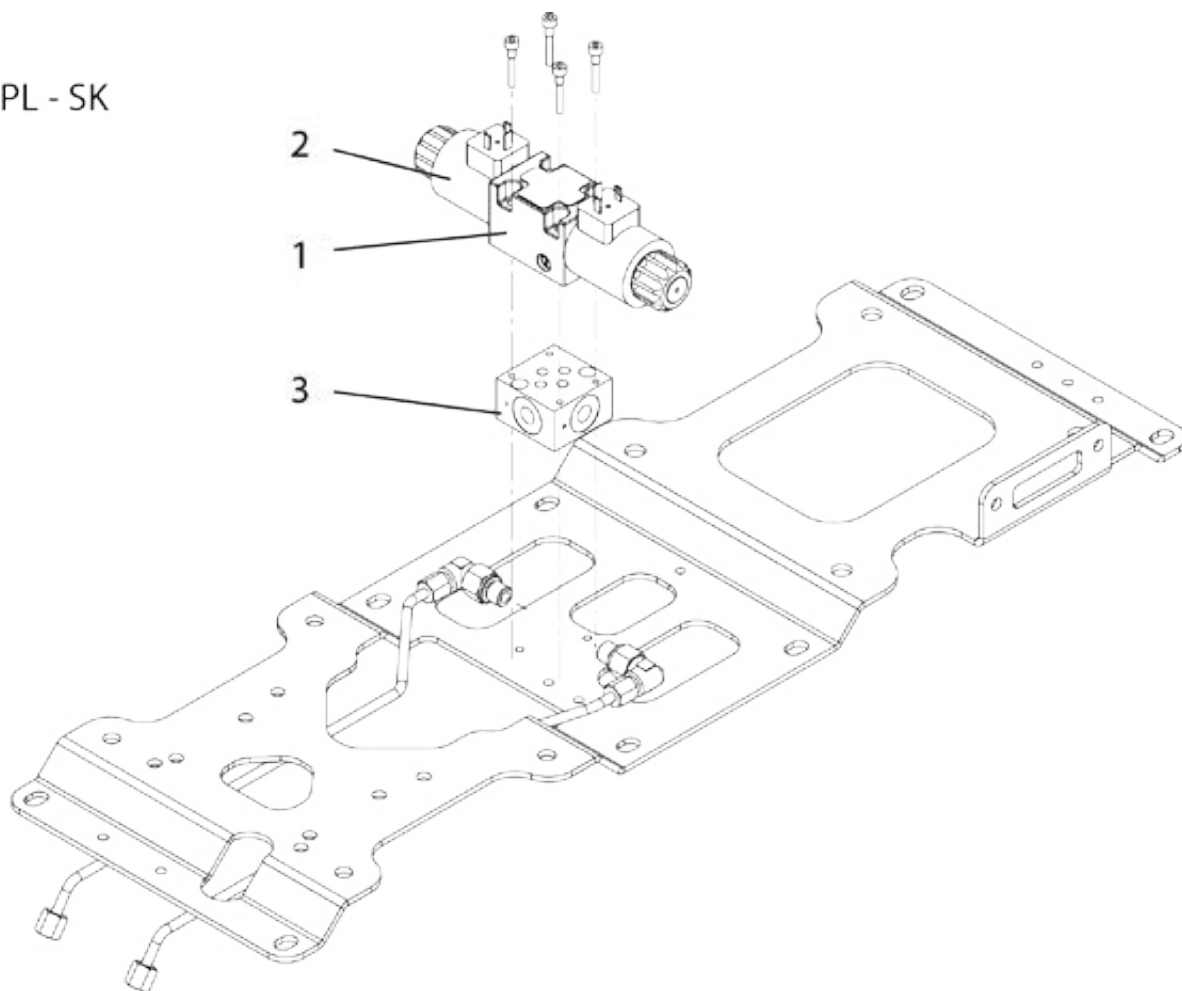
POS	PART NUMBER	QTY	DESCRIPTION	DETAILS	DETAILS 2
1	V105 066 390	1	DEVICE MODULE PLATE	KPL M, L	
2	V105 066 410	1	PIPE ASSEMBLY	Pressure water	
	V105 066 430		PIPE ASSEMBLY KIT SK	Turning device	Includes pos. 3-4
3	*	1	PIPE ASSEMBLY SK L		
4	*	1	PIPE ASSEMBLY SK R		
	V105 066 420		PIPE ASSEMBLY KIT HK	Turning device	Includes pos. 5
5	*	2	PIPE ASSEMBLY HK		
6	V105 066 600	1	FLOW CONTROL VALVE	HPW 200 (40 lpm)	
6	V105 066 610	1	FLOW CONTROL VALVE	HPW 220 (70 lpm)	
6	V105 066 620	1	FLOW CONTROL VALVE	HPW 180 (115 lpm)	
7	V105 066 370	1	SELECTION VALVE		
	V105 066 350		MOUNTING PLATE KIT	Selection valve	Includes pos. 8-14
8	*	1	BALL VALVE BRACKET		
9	*	2	HEXAGON HEAD SCREW	M8x70	
10	*	4	WASHER	A8	
11	*	2	LOCK NUT	M8	
12	*	2	HEXAGON HEAD SCREW	M5x50	
13	*	2	WASHER	M5	
14	*	2	SPRING WASHER	A5	

POS	PART NUMBER	QTY	DESCRIPTION	DETAILS	DETAILS 2
	V105 066 450		PIPE CLAMP KIT HK	Device module	Includes pos. 15-18
15	*	3	PIPE CLAMP	2 x 6	
16	*	2	PIPE CLAMP	15	
17	*	3	MOUNTING PLATE	2 x 6	
18	*	2	MOUNTING PLATE	14-18	

POS	PART NUMBER	QTY	DESCRIPTION	DETAILS	DETAILS 2
	V105 066 460		PIPE CLAMP KIT SK	Device module	Includes pos. 15-18
15	*	1	PIPE CLAMP	2 x 6	
16	*	2	PIPE CLAMP	15	
17	*	1	MOUNTING PLATE	2 x 6	
18	*	2	MOUNTING PLATE	14-18	

2.1. DIRECTIONAL CONTROL VALVE

KPL - SK





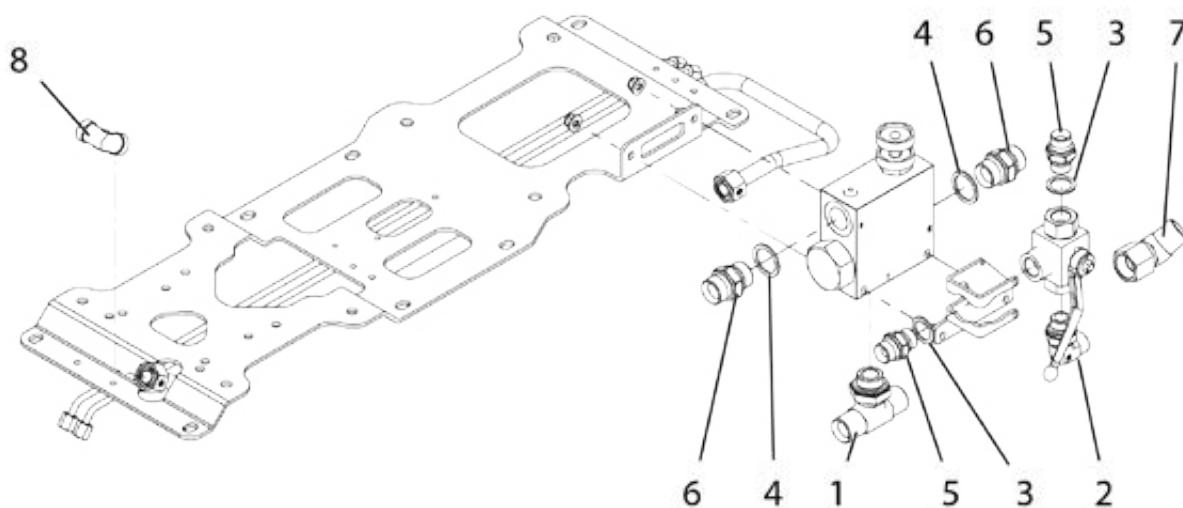
HIGH PRESSURE STREET WASHING UNITS

SPARE PARTS

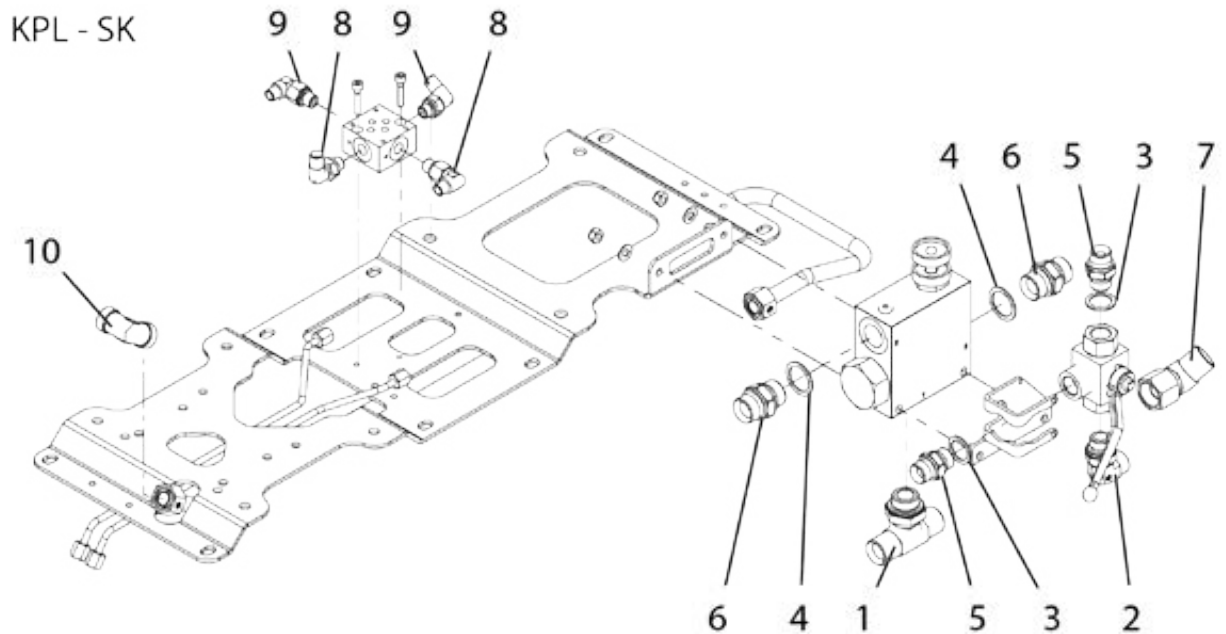
POS	PART NUMBER	QTY	DESCRIPTION	DETAILS	DETAILS 2
1	V105 066 632	1	DIRECTIONAL CONTROL VALVE	12 VDC	
1	V105 066 634	1	DIRECTIONAL CONTROL VALVE	24 VDC	
2	V105 066 636	2	SOLENOID COIL	12 VDC	
2	V105 066 638	2	SOLENOID COIL	24 VDC	
3	V105 066 630	1	DIRECTIONAL CONTROL VALVE MANIFOLD		

2.2. FITTING KIT

KPL - HK

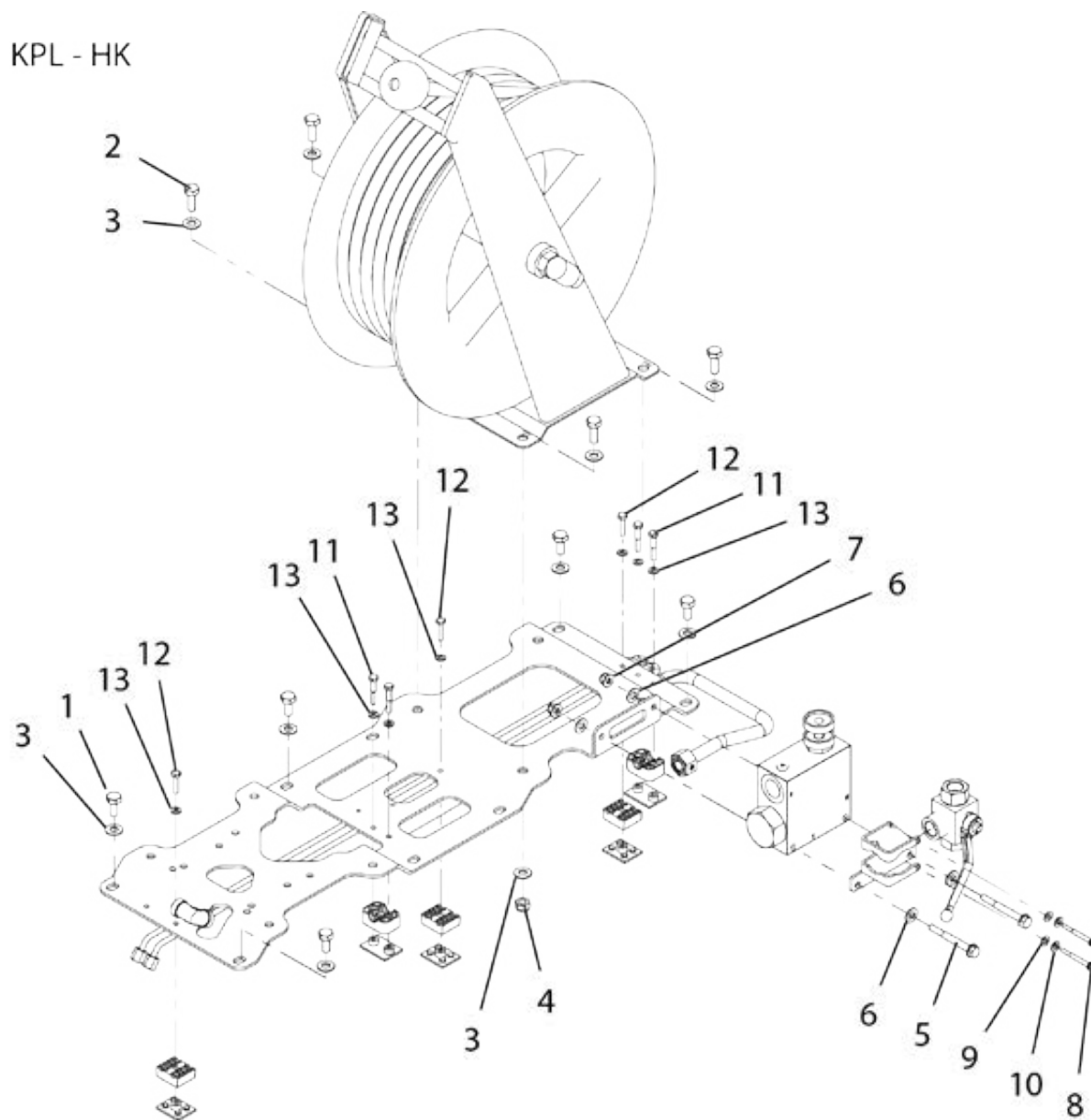


POS	PART NUMBER	QTY	DESCRIPTION	DETAILS	DETAILS 2
	V105 066 480		FITTING KIT HK	Device module	Includes pos. 1-8
1	*	1	ADJUSTABLE MALE STUD BARREL T	R3/4 U/U/U	
2	*	1	ADJUSTABLE ELBOW COUPLING	15L R1/2	
3	*	2	SEAL	R1/2	
4	*	2	SEAL	R3/4	
5	*	2	MALE STRAIGHT ADAPTER	R1/2	
6	*	2	MALE STRAIGHT ADAPTER	R3/4	
7	*	1	45° ADAPTER WITH SWIVEL NUT	R3/4-R3/4-45° u/s	
8	*	1	STRAIGHT COUPLING	15L	



POS	PART NUMBER	QTY	DESCRIPTION	DETAILS	DETAILS 2
	V105 066 490		FITTING KIT SK	Device module	Includes pos. 1-10
1	*	1	ADJUSTABLE MALE STUD BARREL T	R3/4 U/U/U	
2	*	1	ADJUSTABLE ELBOW COUPLING	15L R1/2	
3	*	2	SEAL	R1/2	
4	*	2	SEAL	R3/4	
5	*	2	MALE STRAIGHT ADAPTER	R1/2	
6	*	2	MALE STRAIGHT ADAPTER	R3/4	
7	*	1	45° ADAPTER WITH SWIVEL NUT	R3/4-R3/4-45° U/S	
8	*	2	ADJUSTABLE ELBOW COUPLING	06L R1/4	
9	*	2	90° ADJUSTABLE ADAPTER	R1/4 - 90° U/U	
10	*	1	STRAIGHT COUPLING	15L	

2.3. SCREW KIT



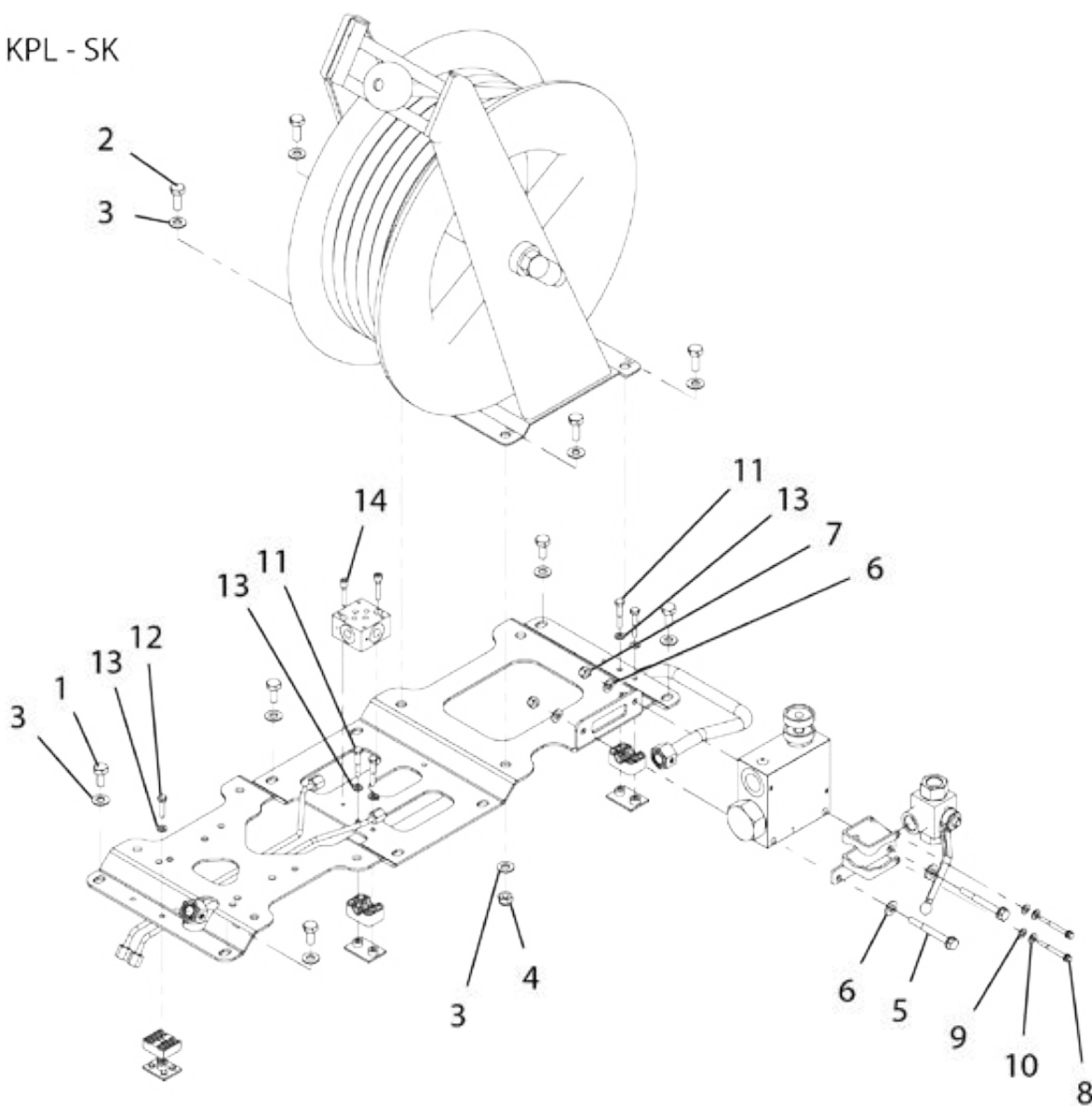


HIGH PRESSURE STREET WASHING UNITS

SPARE PARTS

POS	PART NUMBER	QTY	DESCRIPTION	DETAILS	DETAILS 2
	V105 066 510		SCREW KIT HK	Device module	Includes pos. 1-13
1	*	8	HEAXAGON HEAD SCREW	M10x20	
2	*	4	HEAXAGON HEAD SCREW	M10x25	
3	*	16	WASHER	A10	
4	*	4	LOCK NUT	M10	
5	*	2	HEAXAGON HEAD SCREW	M8x70	
6	*	4	WASHER	A8	
7	*	2	LOCK NUT	M8	
8	*	2	HEAXAGON HEAD SCREW	M5x50	
9	*	2	WASHER	A5	
10	*	2	SPRING WASHER	A5	
11	*	3	HEAXAGON HEAD SCREW	M6x25	
12	*	4	HEAXAGON HEAD SCREW	M6x35	
13	*	7	WASHER	A6	

KPL - SK





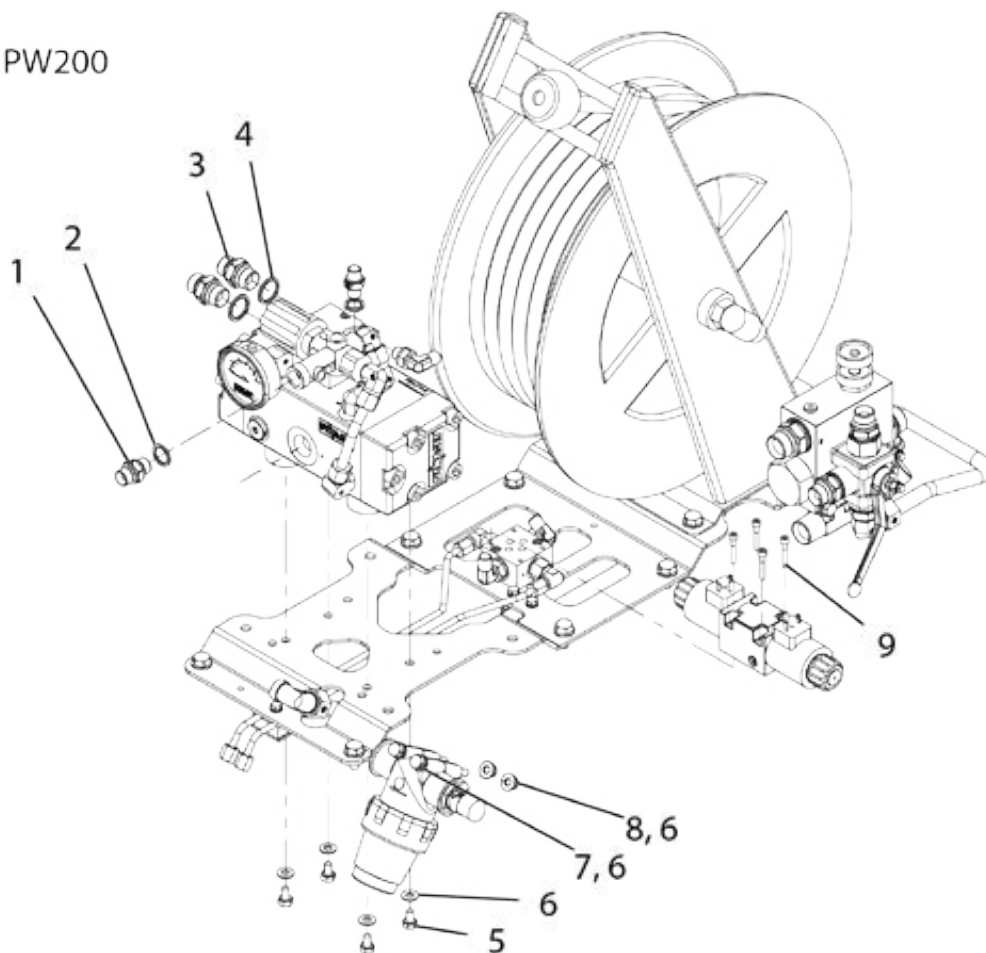
HIGH PRESSURE STREET WASHING UNITS

SPARE PARTS

POS	PART NUMBER	QTY	DESCRIPTION	DETAILS	DETAILS 2
	V105 066 520		SCREW KIT SK	Device module	Includes pos. 1-14
1	*	8	HEAXAGON HEAD SCREW	M10x20	
2	*	4	HEAXAGON HEAD SCREW	M10x25	
3	*	16	WASHER	A10	
4	*	4	LOCK NUT	M10	
5	*	2	HEAXAGON HEAD SCREW	M8x70	
6	*	4	WASHER	A8	
7	*	2	LOCK NUT	M8	
8	*	2	HEAXAGON HEAD SCREW	M5x50	
9	*	2	WASHER	A5	
10	*	2	SPRING WASHER	A5	
11	*	1	HEAXAGON HEAD SCREW	M6x25	
12	*	4	HEAXAGON HEAD SCREW	M6x35	
13	*	5	WASHER	A6	
14	*	2	HEXAGON SOCKET CAP SCREW	M6x30	

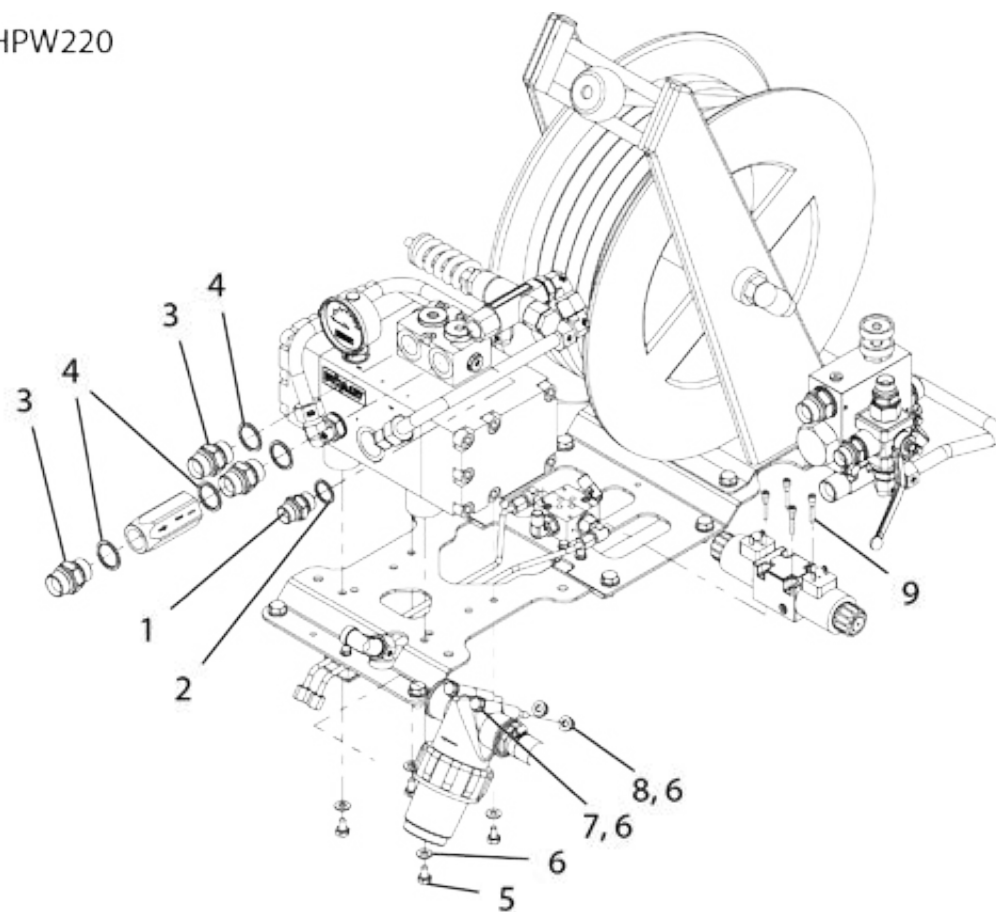
2.4. HPW FITTING AND SCREW KITS

HPW200



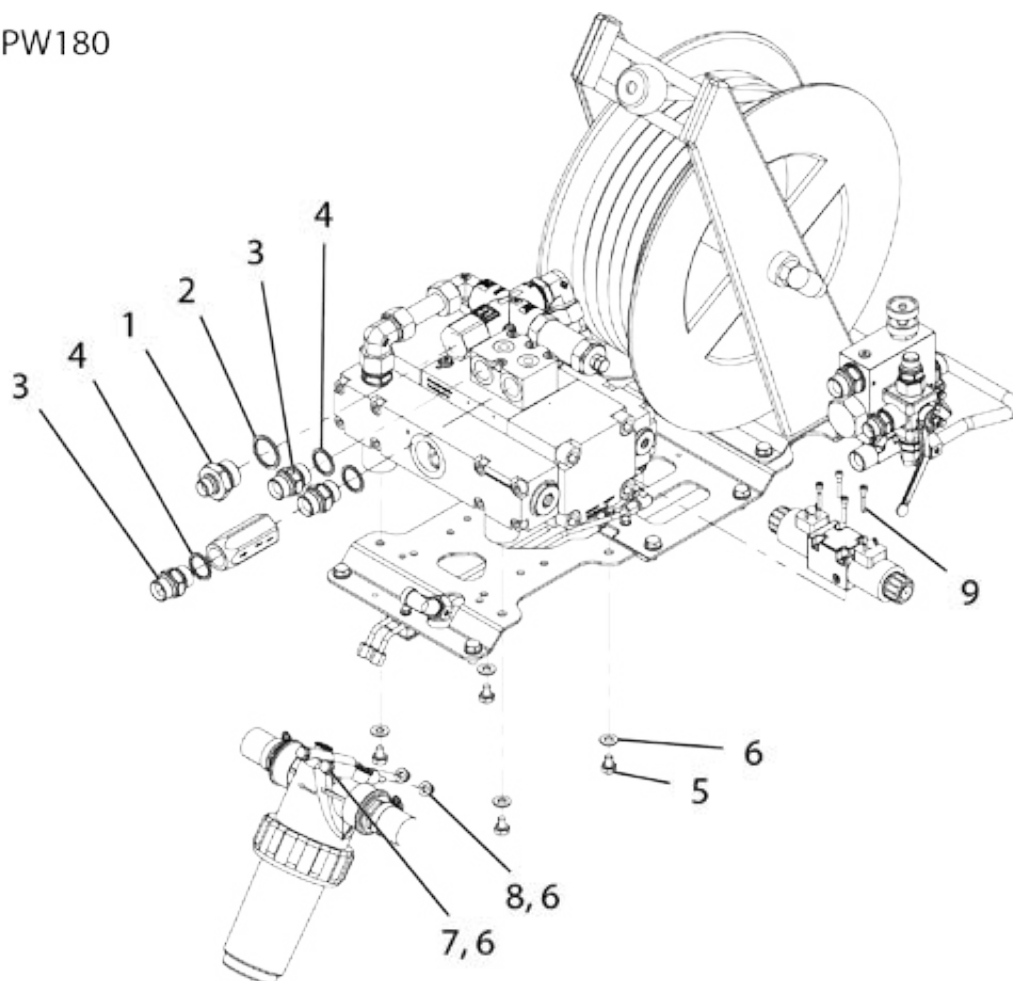
	POS	PART NUMBER	QTY	DESCRIPTION	DETAILS	DETAILS 2
HPW200		V105 067 090		HPW200 FITTING KIT	Device module	Includes pos. 1-4
	1	*	1	MALE STRAIGHT ADAPTER	R3/8	
	2	*	1	SEAL	R3/8	
	3	*	2	MALE STRAIGHT ADAPTER	R1/2	
	4	*	2	SEAL	R1/2	
HPW200		V105 066 850		HPW200 SCREW KIT	Device module	Includes pos. 5-9
	5	*	4	HEAXAGON HEAD SCREW	M8x12	
	6	*	8	WASHER	A8	
	7	*	2	HEAXAGON HEAD SCREW	M8x80	
	8	*	2	LOCK NUT	M8	
	9	*	4	HEXAGON SOCKET CAP SCREW	M5x30	For Directional control valve

HPW220



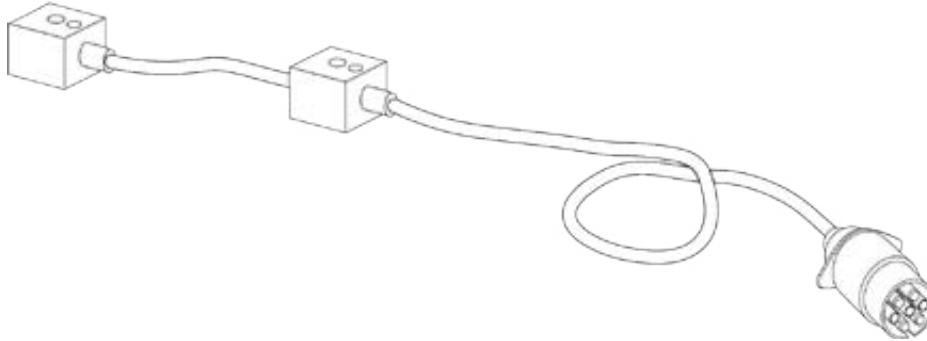
	POS	PART NUMBER	QTY	DESCRIPTION	DETAILS	DETAILS 2
HPW220		V105 067 110		HPW220 FITTING KIT	Device module	Includes pos. 1-4
	1	*	1	MALE STRAIGHT ADAPTER	R1/2	
	2	*	1	SEAL	R1/2	
	3	*	3	MALE STRAIGHT ADAPTER	R3/4	
	4	*	3	SEAL	R3/4	
HPW220		V105 066 860		HPW220 SCREW KIT	Device module	Includes pos. 1-4
	1	*	8	WASHER	A8	
	2	*	4	HEAXAGON HEAD SCREW	M8x12	
	3	*	2	LOCK NUT	M8	
	4	*	2	HEAXAGON HEAD SCREW	M8x90	
	5	*	4	HEXAGON SOCKET CAP SCREW	M5x30	For Directional control valve

HPW180



	POS	PART NUMBER	QTY	DESCRIPTION	DETAILS	DETAILS 2
HPW180		V105 067 130		HPW180 FITTING KIT	Device module	Includes pos. 1-4
	1	*	1	MALE STRAIGHT ADAPTER	R1-R1/2	
	2	*	1	SEAL	R1	
	3	*	3	MALE STRAIGHT ADAPTER	R3/4	
	4	*	3	SEAL	R3/4	
HPW180		V105 066 870		HPW180 SCREW KIT	Device module	Includes pos. 1-6
	1	*	4	WASHER	A10	
	2	*	4	HEAXAGON HEAD SCREW	M10x12	
	3	*	4	WASHER	A8	
	4	*	2	HEAXAGON HEAD SCREW	M8x120	
	5	*	2	LOCK NUT	M8	
	6	*	4	HEXAGON SOCKET CAP SCREW	M5x30	For Directional control valve

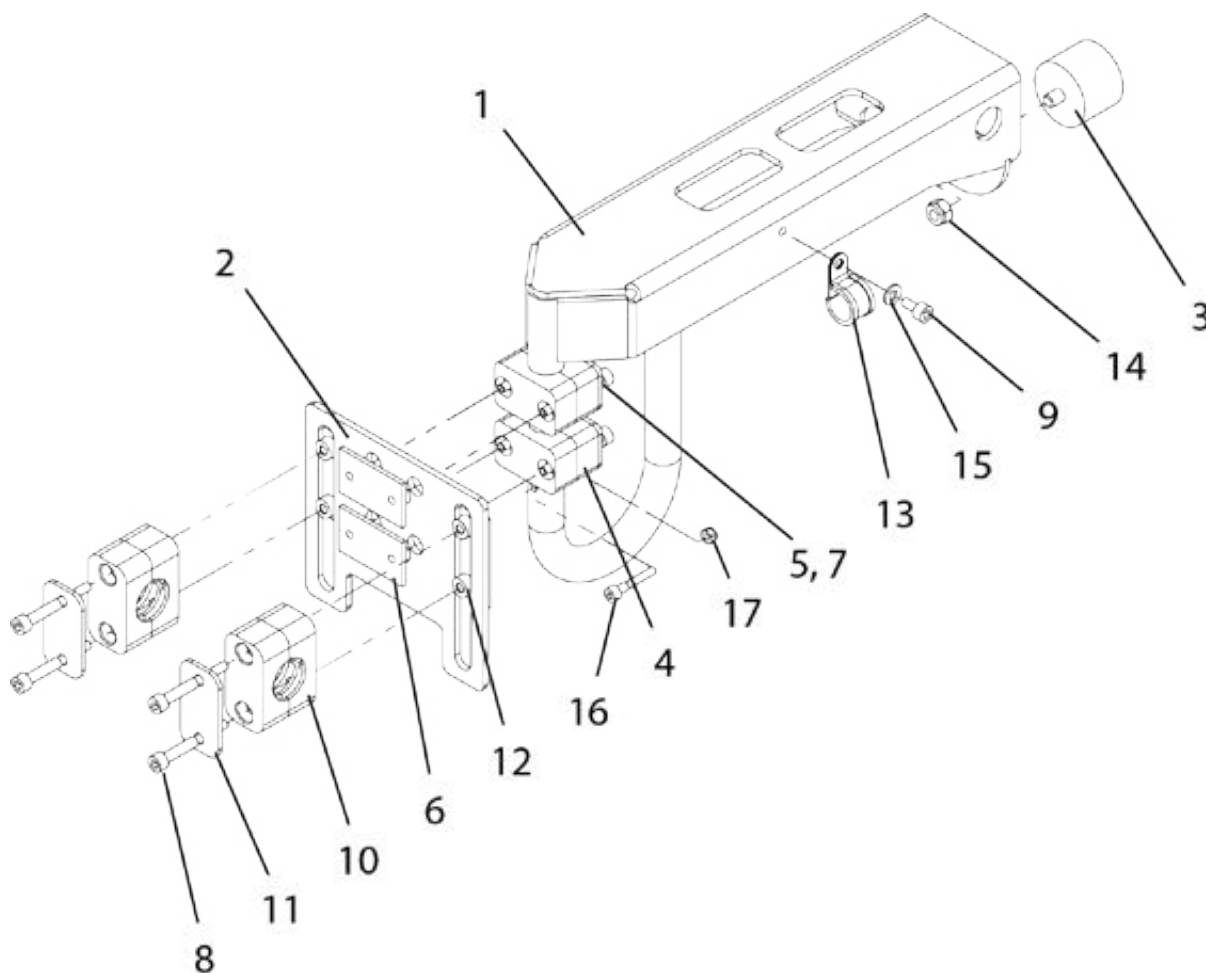
2.5. CONTROL WIRE KIT



POS	PART NUMBER	QTY	DESCRIPTION	DETAILS	DETAILS 2
			CONTROL WIRE KIT		
	A37016		WIRE HARNESS L=2600	KPL M, L	
	A36679		ADAPTOR: 7-PIN WIRE	KPL M, L	TO FASTER
	A34804		WIRE WITH TOGGLE SWITCH	KPL M, L	

3. TURNING DEVICE ASSEMBLY

3.1. TURNING FRAME KPL S



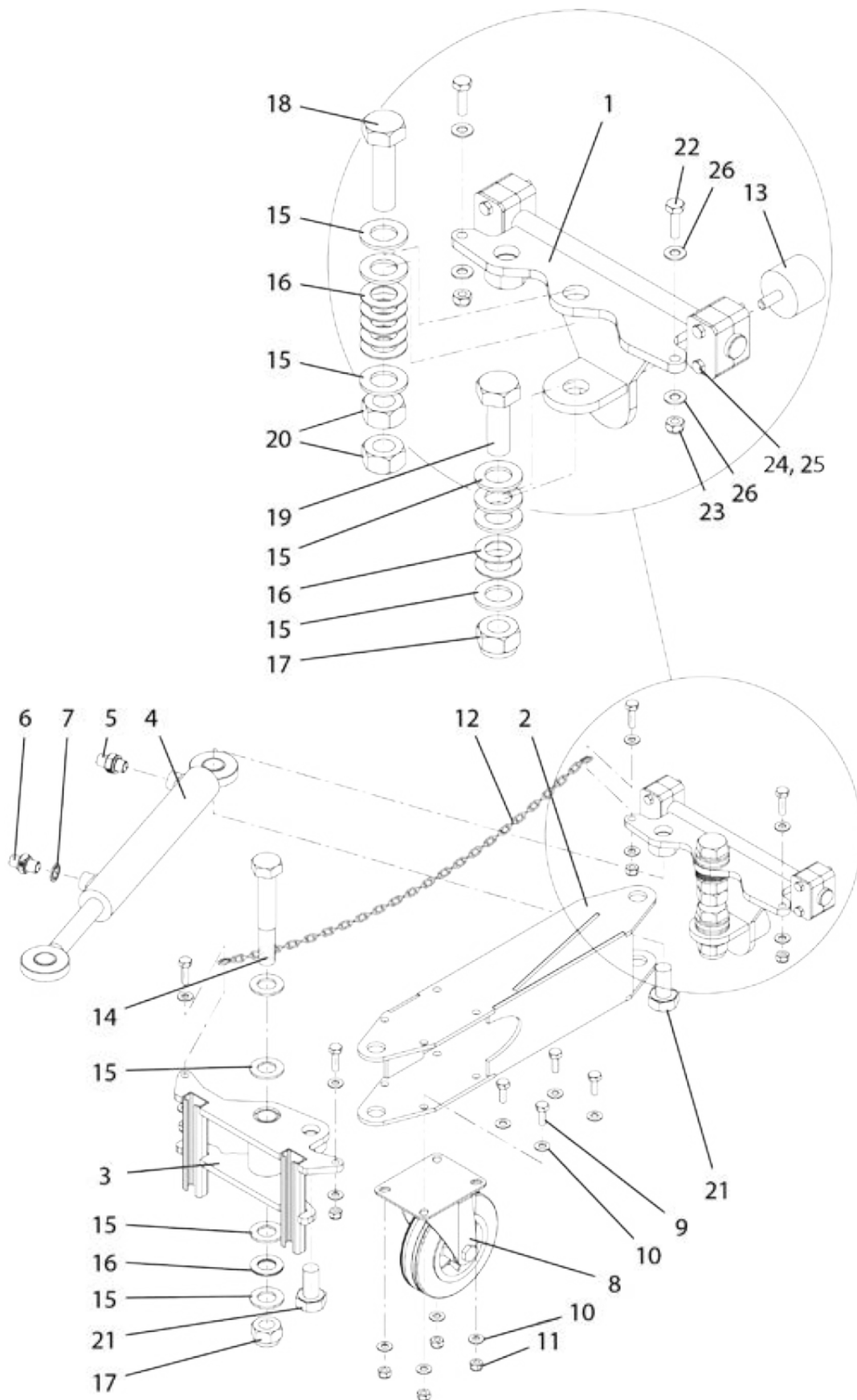


HIGH PRESSURE STREET WASHING UNITS

SPARE PARTS

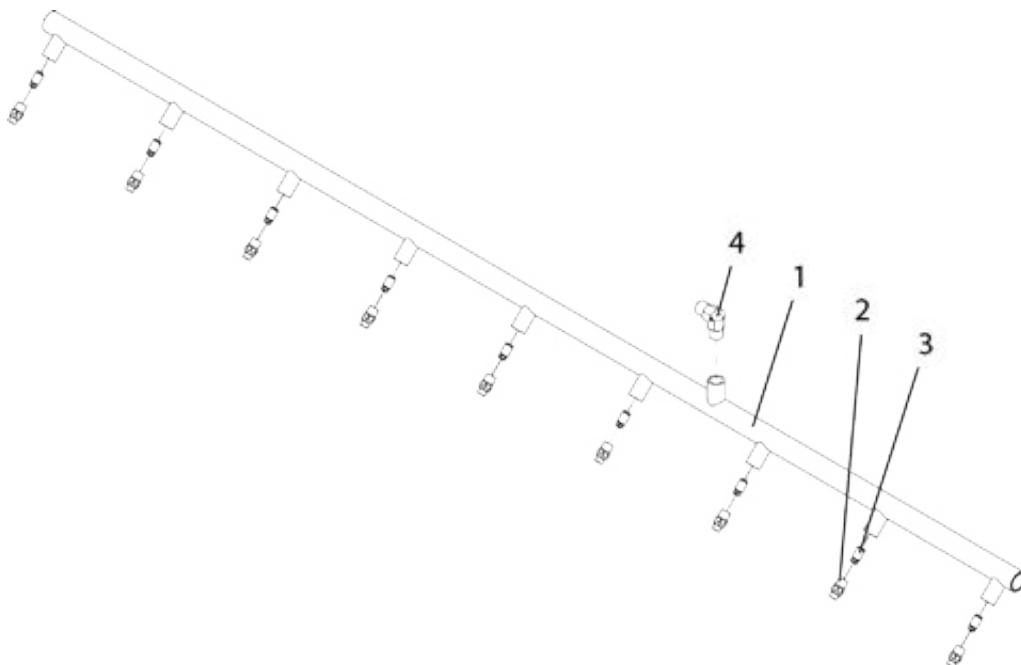
POS	PART NUMBER	QTY	DESCRIPTION	DETAILS	DETAILS 2
	V105 066 540	1	TURNING FRAME KIT	KPL S	Includes pos. 1-2 and fastener kit
1	V105 066 570	1	TURNING FRAME	KPL S	
2	V105 066 590	1	TURNING PLATE	KPL S	
	V105 066 550	1	FASTENER KIT	Turning frame KPL S	Includes pos. 3-17
3	*	1	RUBBER CUSHION	M8 D40/h30	
4	*	2	PIPE CLAMP	20 - series 3	
5	*	2	COVER PLATE	20-25 series 3	
6	*	2	ATTACHMENT PLATE	20-25 series 3	
7	*	4	HEXAGON SOCKET CAP SCREW	M6x45	
8	*	4	HEXAGON SOCKET CAP SCREW	M6x50	
9	*	1	HEXAGON SOCKET CAP SCREW	M6x12	
10	*	2	PIPE CLAMP	R3/4 series 3	
11	*	2	COVER PLATE	R3/4 series 4	
12	*	2	ATTACHMENT PLATE	28-30 series 4	
13	*	1	PIPE CLAMP	15	
14	*	1	LOCK NUT	M8	
15	*	1	WASHER	A6	
16	*	1	HEXAGON SOCKET CAP SCREW	M5x30	
17	*	1	LOCK NUT	A5	

3.2. TURNING DEVICE ASSEMBLY KPL M, L



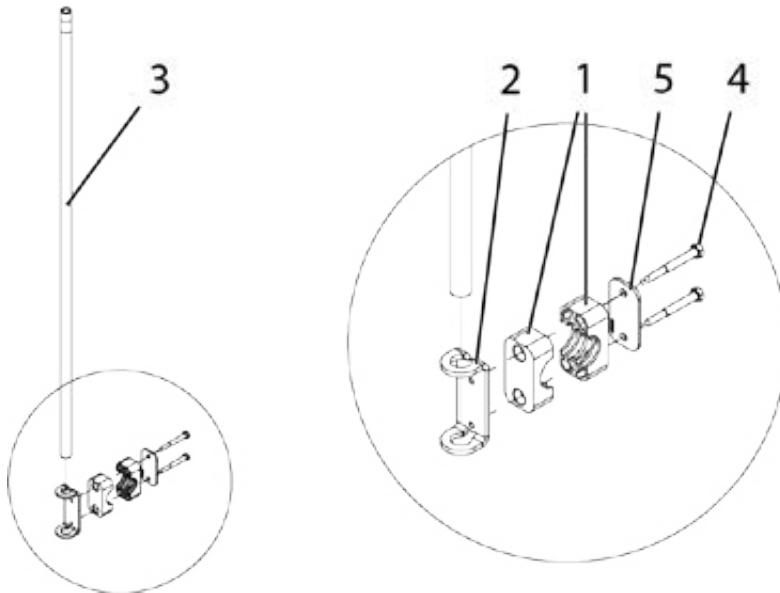
POS	PART NUMBER	QTY	DESCRIPTION	DETAILS	DETAILS 2
	V105 066 650	1	TURNING DEVICE ASSEMBLY	KPL M, L	Includes pos. 1-12 and fastener kit
1	V105 066 670	1	HINGE		
2	V105 066 690	1	ARM		
3	V105 066 710	1	NOZZLE PIPE BRACKET		
	V105 066 730	1	TURNING DEVICE CYLINDER KIT		Includes pos. 4-7
4	*	1	HYDRAULIC CYLINDER	32/20-170	
5	*	1	CHOKE MALE STUD	R1/4 - M6 x 6 - 0,8	
6	*	1	MALE STRAIGHT ADAPTER	R1/4	
7	*	1	SEAL	R1/4	
	V105 066 740	1	WHEEL KIT		Includes pos. 8-11
8	*	1	WHEEL	125 mm	
9	*	4	HEXAGON HEAD SCREW	M8x25	
10	*	8	WASHER	A8	
11	*	4	LOCK NUT	M8	
12	V105 066 760	1	CHAIN KIT	Includes 2 chains	
13	V105 066 770	1	RUBBER CUSHION	14 mm	KPL M
13	V105 066 780	1	RUBBER CUSHION	9 mm	KPL L
	V105 066 750	1	FASTENER KIT		Includes pos. 9, 10, 14-25
14	*	1	HEXAGON HEAD SCREW	M20x120	
15	*	11	WASHER	A21	
16	*	9	CURVED SPRING WASHER	B20	
17	*	2	LOCK NUT	M20	
18	*	1	HEXAGON HEAD SCREW	M20x65	
19	*	1	HEXAGON HEAD SCREW	M20x50	
20	*	2	HEX NUT	M20	
21	*	2	HEXAGON HEAD SCREW	M20x35	
22	*	4	HEXAGON HEAD SCREW	M8x20	
23	*	8	LOCK NUT	M8	
24	*	4	HEXAGON HEAD SCREW	M6x50	
25	*	8	WASHER	A6	
26	*	8	WASHER	A8	

4. NOZZLE PIPE ASSEMBLY



	POS	PART NUMBER	QTY	DESCRIPTION	DETAILS	DETAILS 2
KPL-S HPW200		V105 062 500	1	NOZZLE PIPE ASSEMBLY	D27-1250-8x6501-KPL-HPW200	Includes pos. 1-4
	1	*	1	NOZZLE PIPE	D27 - 1250/8	
	2-3	64831	8	NOZZLE WITH FILTER	6501 - R1/4	
		*	8		FILTER R1/8-100 mesh	
4	*	1	MALE STUD 90° ADAPTER	R3/8-RK3/8		
KPL-M HPW200		V105 062 520	1	NOZZLE PIPE ASSEMBLY	D27-1650-9x6501-KPL-HPW200	Includes pos. 1-4
	1	*	1	NOZZLE PIPE	D27 - 1650/9	
	2-3	64831	9	NOZZLE WITH FILTER	6501 - R1/4	
		*	9		FILTER R1/8-100 mesh	
4	*	1	MALE STUD 90° ADAPTER	R3/8-RK3/8		
KPL-L HPW220		V105 062 540	1	NOZZLE PIPE ASSEMBLY	D33-1850-9x65015-KPL-HPW220	Includes pos. 1-4
	1	*	1	NOZZLE PIPE	D33 - 1850/9	
	2	*	9	NOZZLE	65015 - R1/4	
	3	*	9	FILTER	R1/8-50 mesh	
4	*	1	MALE STUD 90° ADAPTER	R1/2-RK1/2		

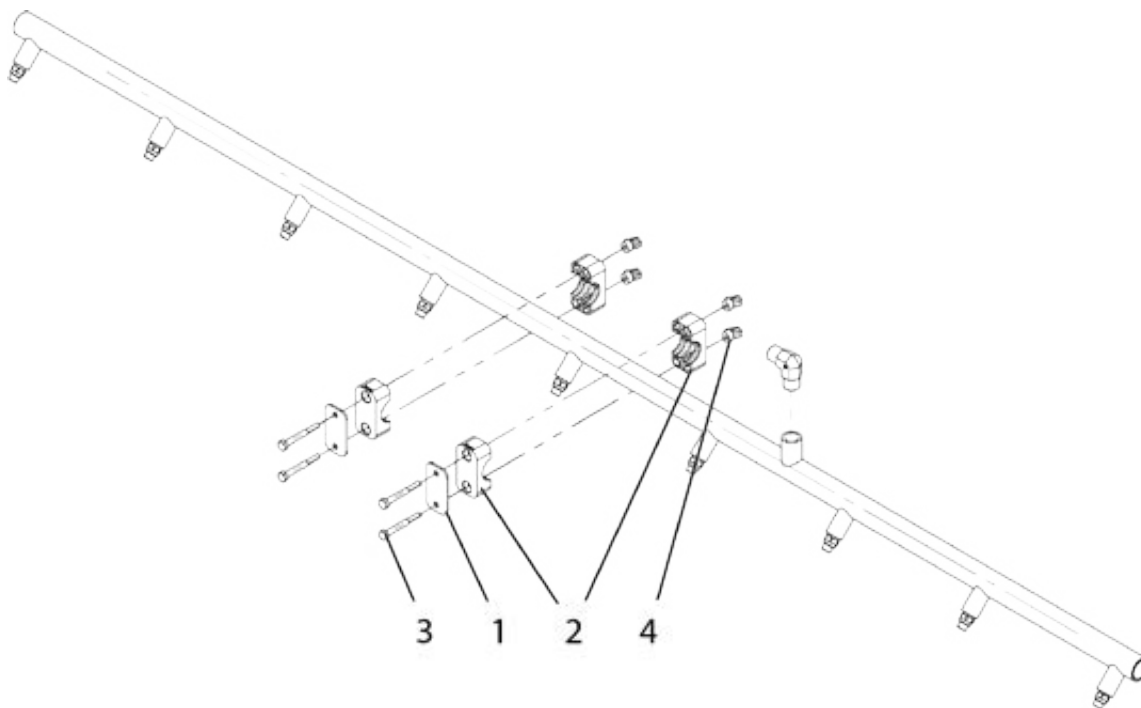
4.1. POLE ASSEMBLY



POS	PART NUMBER	QTY	DESCRIPTION	DETAILS	DETAILS 2
	V105 065 012	1	POLE ASSEMBLY	For D27 mm nozzle pipes	Includes pos. 1-5
1	*	1	PIPE CLAMP	R3/4 series 4	
2	*	1	POLE MOUNTING PLATE		
3	*	1	POLE		
4	*	2	HEXAGON HEAD SCREW	M6x50	
5	*	1	COVER PLATE	28-30 series 4	

POS	PART NUMBER	QTY	DESCRIPTION	DETAILS	DETAILS 2
	V105 065 017	1	POLE ASSEMBLY	For D33 mm nozzle pipes	Includes pos. 1-5
1	*	1	PIPE CLAMP	R1 series 5	
2	*	1	POLE MOUNTING PLATE		
3	*	1	POLE		
4	*	2	HEXAGON HEAD SCREW	M6x70	
5	*	1	COVER PLATE	32-42 series 5	

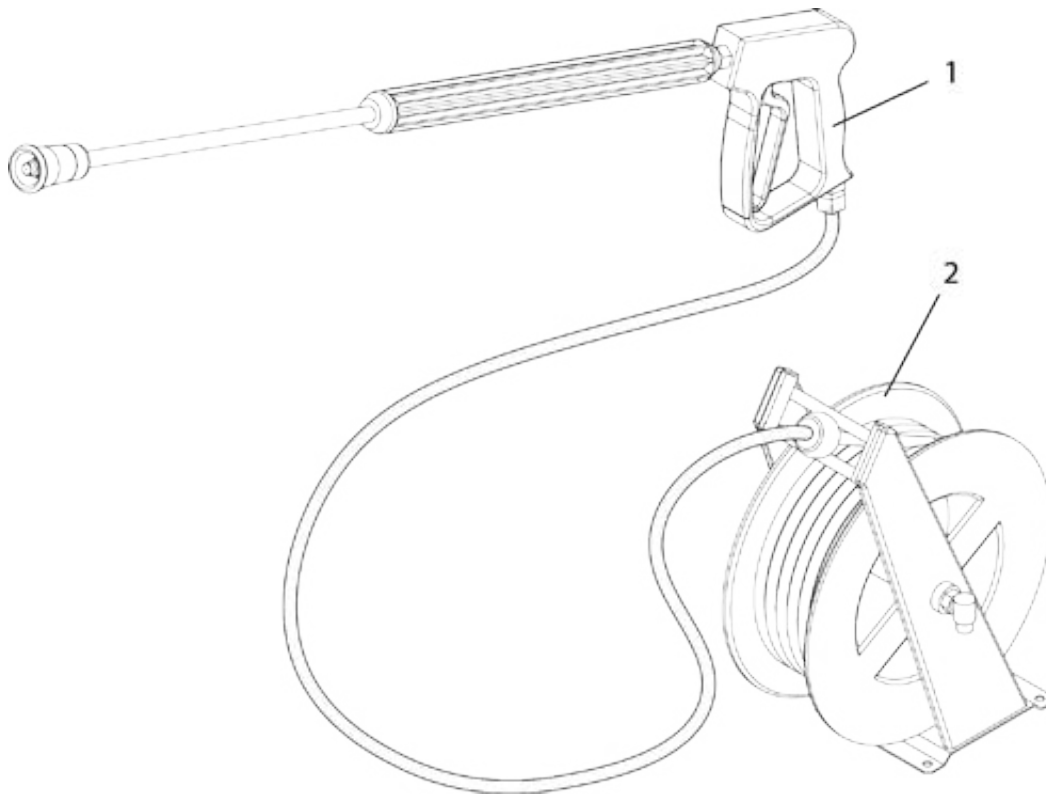
4.2. NOZZLE PIPE MOUNTING KIT



POS	PART NUMBER	QTY	DESCRIPTION	DETAILS	DETAILS 2
	V105 065 020	1	NOZZLE PIPE MOUNTING KIT	for D27 mm nozzle pipes	Includes pos. 1-4
1	*	2	COVER PLATE	28-30 series 4	
2	*	2	PIPE CLAMP	R3/4 series 4	
3	*	4	HEXAGON HEAD SCREW	M6x50	
4	*	4	RAIL NUT	M6	

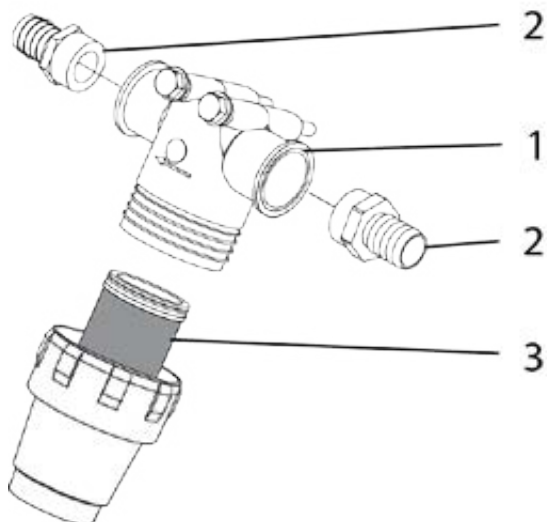
POS	PART NUMBER	QTY	DESCRIPTION	DETAILS	DETAILS 2
	V105 065 025	1	NOZZLE PIPE MOUNTING KIT	for D33 mm nozzle pipes	Includes pos. 1-4
1	*	2	COVER PLATE	R1-R1 1/4 series 5	
2	*	2	PIPE CLAMP	R1 series 5	
3	*	4	HEXAGON HEAD SCREW	M6x65	
4	*	4	RAIL NUT	M6	

5. WASHING GUN AND HOSE REEL



POS	PART NUMBER	QTY	DESCRIPTION	DETAILS	DETAILS 2
1	65635	1	WASHING GUN	ST2300-SW-800-2508	KPL-S, M, L
2	65634	1	HOSE REEL	Includes hose 20 m - 3/8"	KPL-S, M, L

6. FILTER KITS



	POS	PART NUMBER	QTY	DESCRIPTION	DETAILS	DETAILS 2
HPW200		V100 200 150	1	SUCTION FILTER KIT (HPW200)	Inline- R3/4 - 80 mesh- 50 lpm	Includes pos. 1-3
	1	*	1	SUCTION FILTER HOUSING		
	2	*	2	HOSE TAIL	R3/4 - 19 mm	
	3	V100 200 220	1	FILTER ELEMENT (HPW200)	Suction Filter R3/4 - 80 mesh	
HPW220		V100 200 155	1	SUCTION FILTER KIT (HPW220)	Inline- R1 - 80 mesh- 80 lpm	Includes pos. 1-3
	1	*	1	SUCTION FILTER HOUSING		
	2	*	2	HOSE TAIL	R1 - 25 mm	
	3	V100 200 230	1	FILTER ELEMENT (HPW220)	Suction Filter R1 - 80 Mesh	



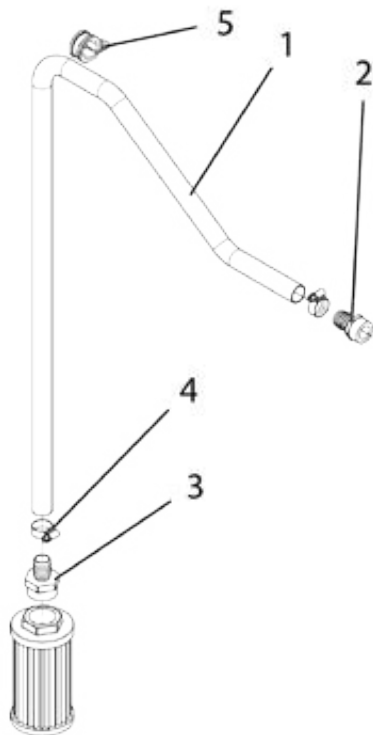
HIGH PRESSURE STREET WASHING UNITS

SPARE PARTS

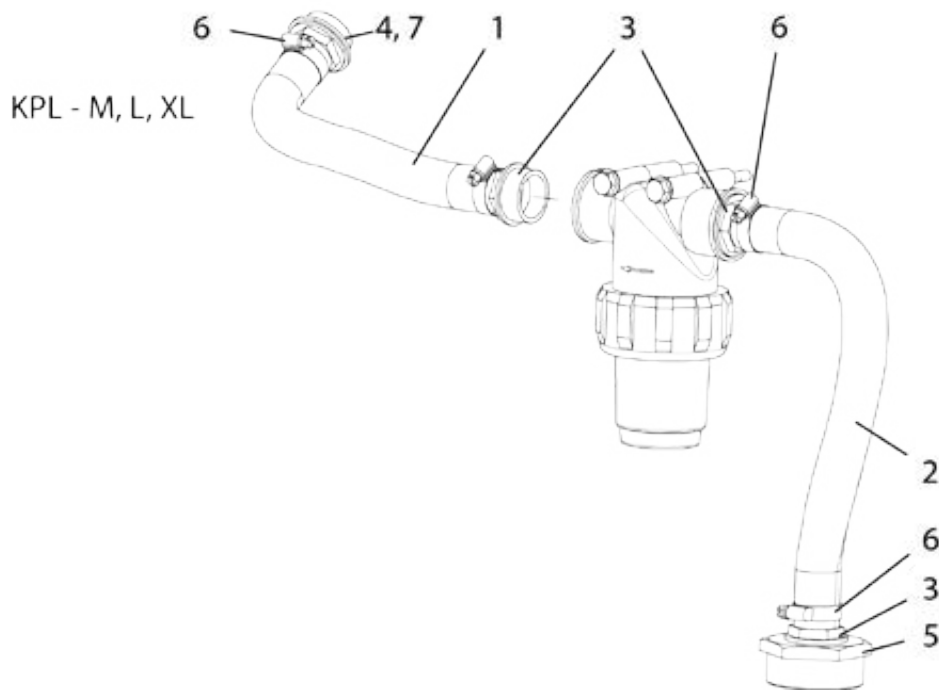
7. HOSES

7.1. SUCTION HOSE KITS

KPL - S



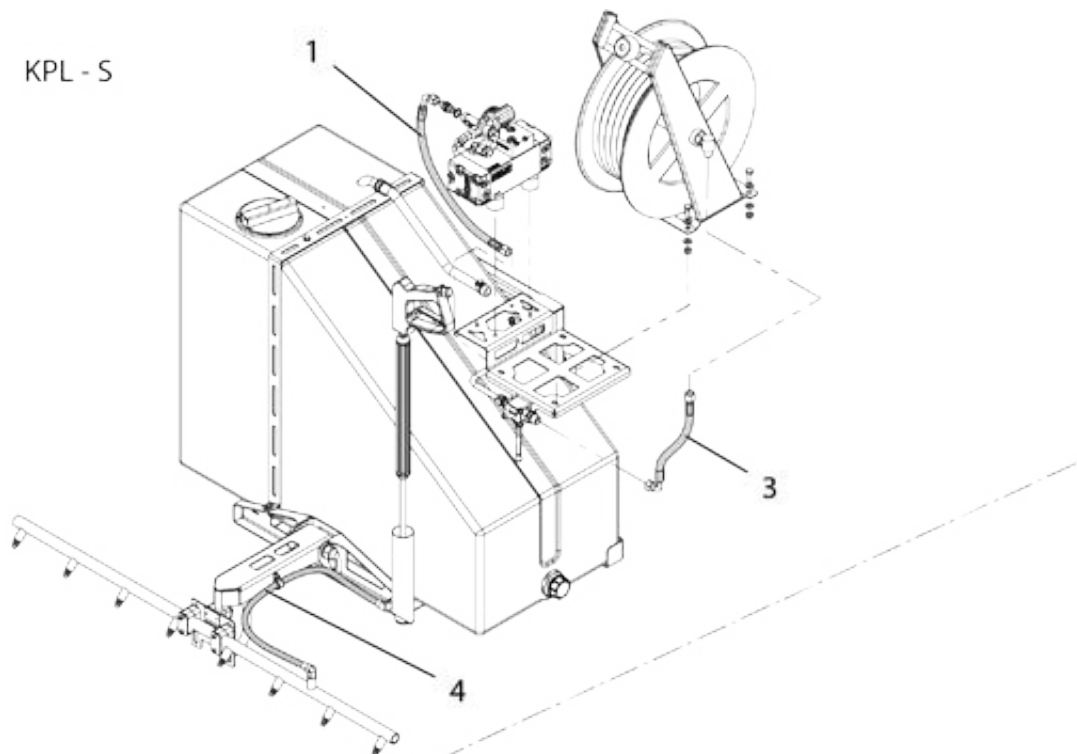
POS	PART NUMBER	QTY	DESCRIPTION	DETAILS	DETAILS 2
	V105 066 790		SUCTION HOSE KIT	KPL S (HPW200)	Includes pos. 1-5
1	*	1	HOSE	R3/4 5 bar PVC1	
2	*	1	HOSE TAIL	R1 - 19 mm	
3	*	1	HOSE TAIL	R3/4 - 19 mm	
4	*	2	HOSE CLAMP		
5	*	1	PIPE CLAMP		



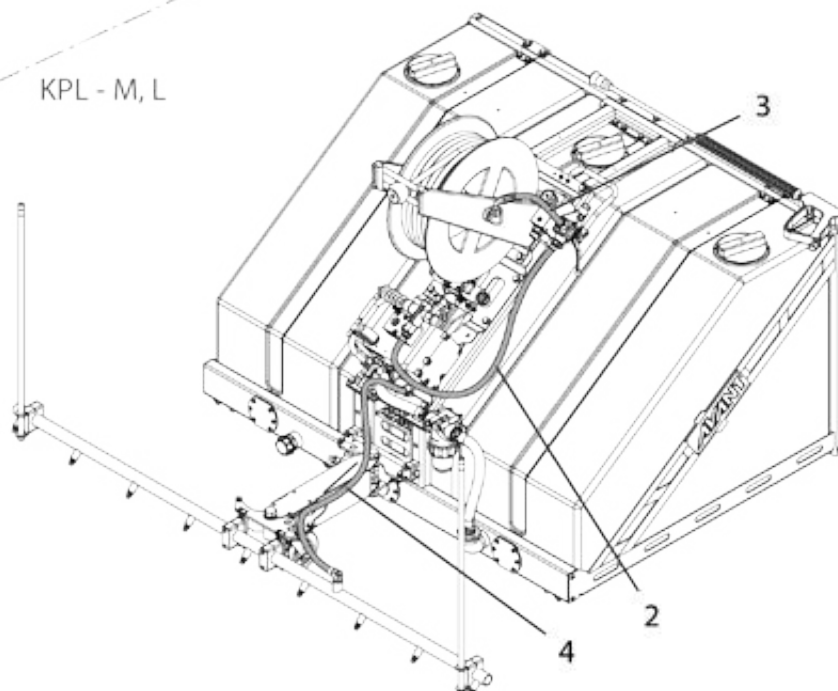
	POS	PART NUMBER	QTY	DESCRIPTION	DETAILS	DETAILS 2
HPW200		V105 066 800		SUCTION HOSE KIT	KPL M (HPW200), KPL L (HPW200)	Includes pos. 1-6
	1	*	1	HOSE	R3/4 5 bar PVC	235 mm
	2	*	1	HOSE	R3/4 5 bar PVC	320 mm
	3	*	3	HOSE TAIL	R3/4 - 19 mm	
	4	*	1	HOSE TAIL	R1 - 19 mm	
	5	*	1	REDUCTION	RK2-1	
	6	*	4	HOSE CLAMP	20-32 mm	
HPW220		V105 066 820		SUCTION HOSE KIT	KPL L (HPW220),	Includes pos. 1-6
	1	*	1	HOSE	R1 5 bar PVC	250 mm
	2	*	1	HOSE	R1 5 bar PVC	360 mm
	3	*	4	HOSE TAIL	R1 - 25 mm	
	5	*	1	REDUCTION	RK2-1	
	6	*	4	HOSE CLAMP	20-32 mm	
	7	*	1	SEAL	R1	

7.2. PRESSURE WATER HOSES

KPL - S



KPL - M, L





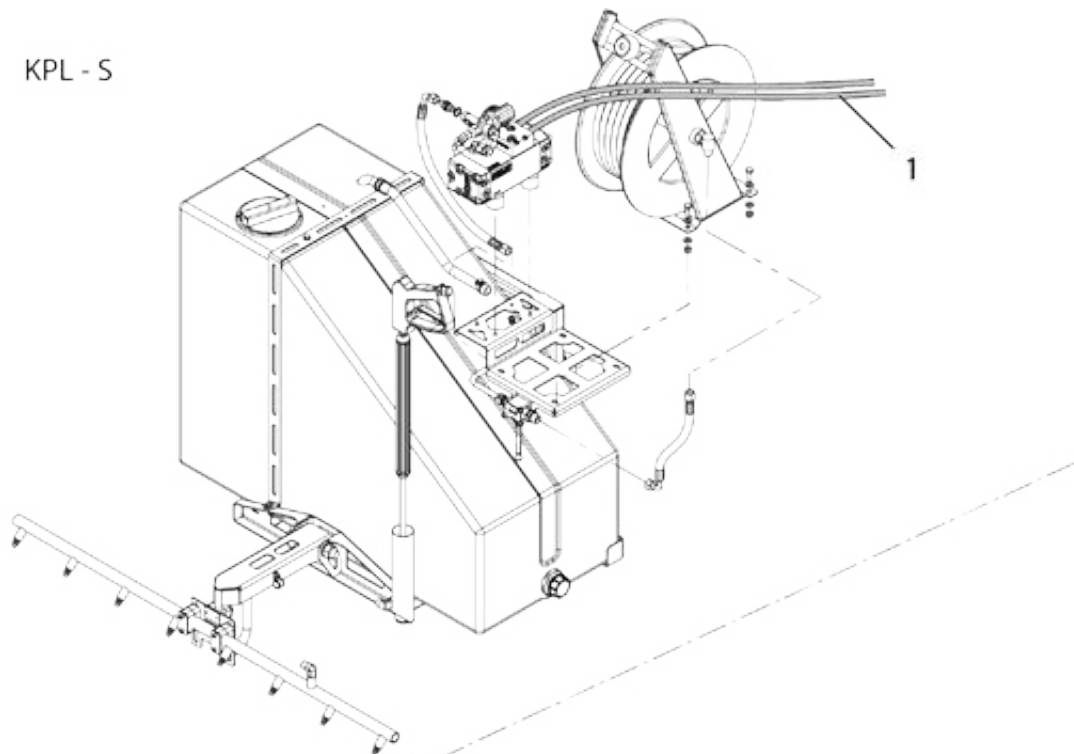
HIGH PRESSURE STREET WASHING UNITS

SPARE PARTS

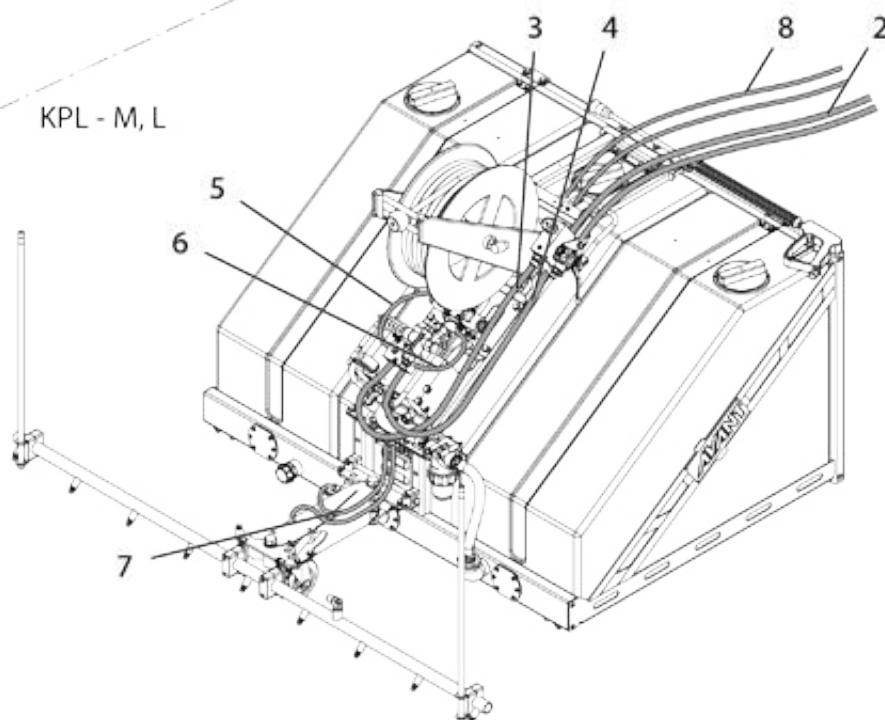
POS	PART NUMBER	QTY	DESCRIPTION	DETAILS	DETAILS 2
1	V105 067 160	1	PRESSURE WATER HOSE	KPL S	HPW to selection valve
2	V105 067 210	1	PRESSURE WATER HOSE	KPL M (HPW200)	HPW to selection valve
2	V105 067 220	1	PRESSURE WATER HOSE	KPL L (HPW220)	HPW to selection valve
3	V105 067 170	1	PRESSURE WATER HOSE	KPL S, M, L	Selection valve to hose reel
4	V105 067 150	1	NOZZLE PIPE HOSE	KPL S	
4	V105 067 200	1	NOZZLE PIPE HOSE	KPL M (HPW200)	
4	V105 067 205	1	NOZZLE PIPE HOSE	KPL L (HPW220)	

7.3. HYDRAULIC HOSES

KPL - S



KPL - M, L





HIGH PRESSURE STREET WASHING UNITS

SPARE PARTS

POS	PART NUMBER	QTY	DESCRIPTION	DETAILS	DETAILS 2
1	V105 067 190		HYDRAULIC HOSE P / T	KPL S	From base machine
2	V105 067 230		HYDRAULIC HOSE P / T	KPL M (HPW200)	From base machine
2	V105 067 235		HYDRAULIC HOSE P / T	KPL L (HPW220)	From base machine
3	V105 067 240		HYDRAULIC HOSE P	KPL M (HPW200)	HPW
3	V105 067 300		HYDRAULIC HOSE P	KPL L (HPW220)	HPW
4	V105 067 250		HYDRAULIC HOSE T	KPL M (HPW200)	HPW
4	V105 067 310		HYDRAULIC HOSE T	KPL L (HPW220)	HPW
5	V105 067 260		HYDRAULIC HOSE P SK	KPL M, L	Control valve
6	V105 067 270		HYDRAULIC HOSE T SK	KPL M (HPW200)	Control valve
6	V105 067 280		HYDRAULIC HOSE T SK	KPL L (HPW220)	Control valve
7	V105 067 320		TURNING DEVICE HOSE KIT + / -	KPL M, L	
8	V105 067 290		HYDRAULIC HOSE P / T HK	KPL M, L HK	From base machine to turning device



Menotie 3
FI-33470 Ylöjärvi, Finland
tel: +358 3 3488 200
info@dynaset.com



ELECTRICITY

HG Hydraulic Generator
HGV POWER BOX Variable Hydraulic Generator System
HGV Variable Hydraulic Generator System
HWG Hydraulic Welding Generator
HGG Hydraulic Ground Power Generator



HIGH PRESSURE WATER

HPW Hydraulic High Pressure Water Pump
HPW Hydraulic Power Washer
KPL High Pressure Street Washing Unit
HPW-DUST High Pressure Dust Suppression System
PPL High Pressure Pipe Cleaning Unit
HPW-FIRE High Pressure Firefighting System
FP Fire Fighting Piercing Kit
HDF Hydraulic Drilling Fluid Pump
JPL High Pressure Bin Washing System
HSP Hydraulic Submersible Pump



COMPRESSED AIR

HK Hydraulic Piston Compressor
HKL Hydraulic Rotary Vane Compressor
HKR Hydraulic Screw Compressor



MAGNET POWER

HMG PRO Hydraulic Magnet Generator
MAG Lift Magnet
HMAG PRO Hydraulic Magnet



VIBRATION

HVB Hydraulic Vibration Pump
HVD Hydraulic Directional Vibra
HVC Hydraulic Vibration Compactor
HRC Hydraulic Reversal Cylinder



POWER BOOSTING

HPI Hydraulic Pressure Intensifier
HPI-C Hydraulic Pressure Intensifier for Cylinder



KNOW-HOW

Hydraulic Power Take-off (PTO)
Hydraulic Power Unit Technology
HEU Hydraulic Expansion Unit
HRU Hydraulic Rescue Unis
De-Icing Technology
Installation Valves
HHK Hydraulic Grinder
HV/HVY Hydraulic Winch / Winch Unit

www.dynaset.com

